

Inoxsystem® Italia channels line introduces

Inoxsystem® IDrain

Linear drains, floor drains and accessories entirely made of stainless steel



*indoor and outdoor
stainless steel design*

==== www.inoxsystem.it ====

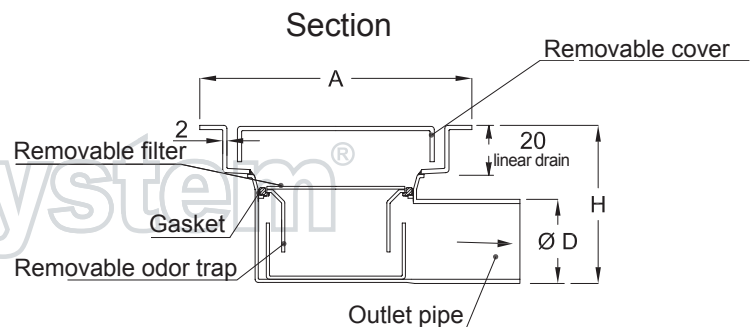
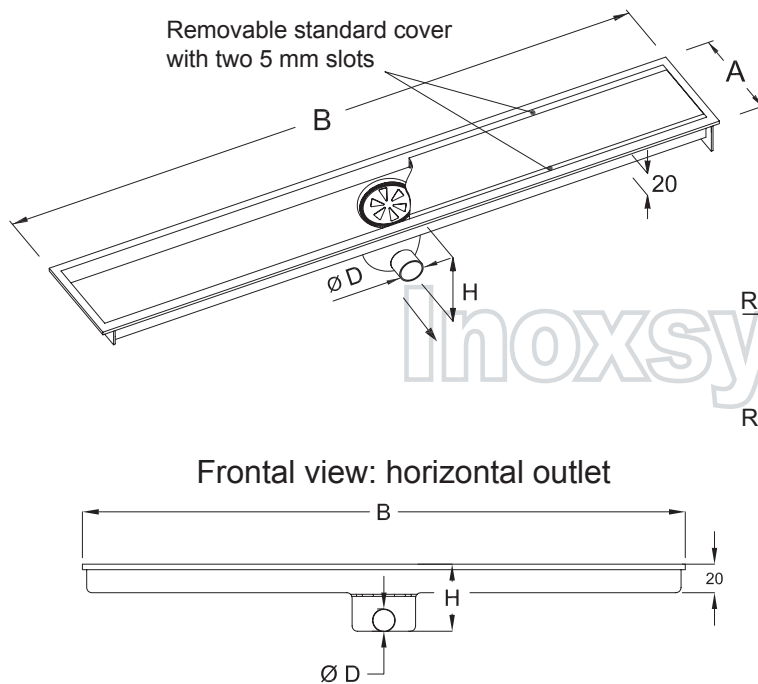


Inoxsystem® IDrain 3060 - Double slot linear drain with odor trap, entirely made of 2 mm thick stainless steel and completely inspectable to ensure high standards of robustness, cleanliness and hygiene

Inoxsystem® IDrain 3060



- 100 mm wide
- Satin finish edges
- Satin finish standard cover
- Two side slots
- Removable filter and odor trap
- Entirely made of 2 mm thick stainless steel



Inoxsystem® IDrain 3060 - Linear drain - Standard cover with two side slots - width 100 mm - visible edges - central horizontal outlet Ø 40 - removable odor trap and filter							
Art.:	A Width	B Length	H Height	Ø Outlet	Flow rate lt/min	Removable cover	
3061401070	100	700	70	40	28	Standard	
3061401080	100	800	70	40	28	Standard	
3061401090	100	900	70	40	28	Standard	
30614010100	100	1000	70	40	28	Standard	
30614010110	100	1100	70	40	28	Standard	
30614010120	100	1200	70	40	28	Standard	
30614010AR	100	On request	70	40	28	Standard	

Dwg. No. 3061 - Made of: Aisi 304 stainless steel, 2 mm thick - Aisi 316 on request

Inoxsystem® IDrain 3060 - Linear drain - Standard cover with two side slots - width 100 mm - visible edges - central horizontal outlet Ø 50 - removable odor trap and filter							
Art.:	A Width	B Length	H Height	Ø Outlet	Flow rate lt/min	Removable cover	
3061501070	100	700	80	50	28	Standard	
3061501080	100	800	80	50	28	Standard	
3061501090	100	900	80	50	28	Standard	
30615010100	100	1000	80	50	28	Standard	
30615010110	100	1100	80	50	28	Standard	
30615010120	100	1200	80	50	28	Standard	
30615010AR	100	On request	80	50	28	Standard	

Dwg. No. 3061 - Made of: Aisi 304 stainless steel, 2 mm thick - Aisi 316 on request

Note: Inoxsystem® IDrain linear drains can be provided with vertical outlet including removable odor trap and filter (see page 14).

ON REQUEST - See accessories at page 13 and 14 of this catalogue

- Art. "....." (to be specified) Different type of removable two-slot cover with decorative patterns to replace the removable standard cover. It is necessary to indicate the code of the linear drain which cover must be replaced and the chosen type of cover.

- Art "IDPL" - Dual set of adjustable feet complete with double sided tape to ensure perfectly level installation of Inoxsystem® IDrain channels.

- Art. "IDGS" Lifting hook to facilitate the removal of covers, filters and odor traps of Inoxsystem® IDrain channels and floor drains.

NOTE: - All dimensions can be modified upon request.

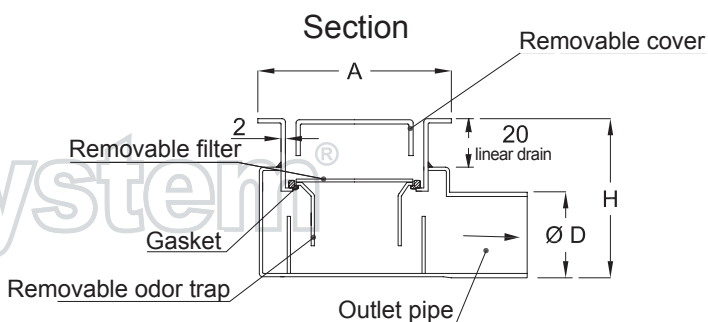
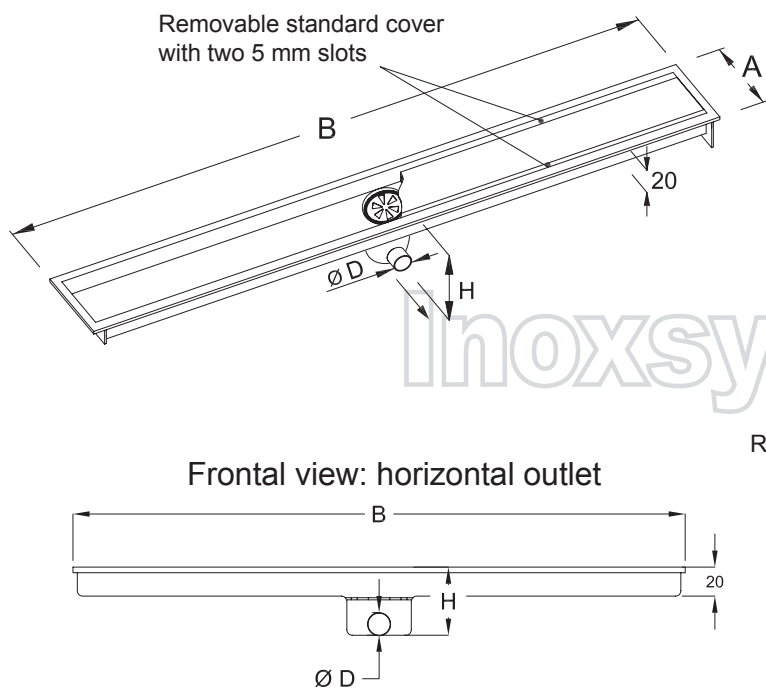
- All the drawings, pictures and descriptions in this catalogue are property of Inoxsystem®. They cannot be used or copied without our formal permission.

Inoxsystem® IDrain 3080 - Double slot linear drain with odor trap, entirely made of 2 mm thick stainless steel and completely inspectable to ensure high standards of robustness, cleanliness and hygiene

Inoxsystem® IDrain 3080



- 70 mm wide
- Satin finish edges
- Satin finish standard cover
- Two side slots
- Removable filter and odor trap
- Entirely made of 2 mm thick stainless steel



Inoxsystem® IDrain 3080 - Linear drain - Standard cover with two side slots - width 70 mm - visible edges - central horizontal outlet Ø 40 - removable odor trap and filter						
Art.:	A Width	B Length	H Height	Ø Outlet	Flow rate lt/min	Removable cover
308140770	70	700	70	40	18	Standard
308140780	70	800	70	40	18	Standard
308140790	70	900	70	40	18	Standard
3081407100	70	1000	70	40	18	Standard
3081407110	70	1100	70	40	18	Standard
3081407120	70	1200	70	40	18	Standard
3081407AR	70	On request	70	40	18	Standard

Dwg. No. 3081 - Made of: Aisi 304 stainless steel, 2 mm thick - Aisi 316 on request

Inoxsystem® IDrain 3080 - Linear drain - Standard cover with two side slots - width 70 mm - visible edges - central horizontal outlet Ø 50 - removable odor trap and filter						
Art.:	A Width	B Length	H Height	Ø Outlet	Flow rate lt/min	Removable cover
308150770	70	700	80	50	18	Standard
308150780	70	800	80	50	18	Standard
308150790	70	900	80	50	18	Standard
3081507100	70	1000	80	50	18	Standard
3081507110	70	1100	80	50	18	Standard
3081507120	70	1200	80	50	18	Standard
3081507AR	70	On request	80	50	18	Standard

Dwg. No. 3081 - Made of: Aisi 304 stainless steel, 2 mm thick - Aisi 316 on request

Note: Inoxsystem® IDrain linear drains can be provided with vertical outlet including removable odor trap and filter (see page 14).

ON REQUEST - See accessories at page 13 and 14 of this catalogue

- Art. "....." (to be specified) Different type of removable two-slot cover with decorative patterns to replace the removable standard cover. It is necessary to indicate the code of the linear drain which cover must be replaced and the chosen type of cover.

- Art "IDPL" - Dual set of adjustable feet complete with double sided tape to ensure perfectly level installation of Inoxsystem® IDrain channels.

- Art. "IDGS" Lifting hook to facilitate the removal of covers, filters and odor traps of Inoxsystem® IDrain channels and floor drains.

NOTE: - All dimensions can be modified upon request.

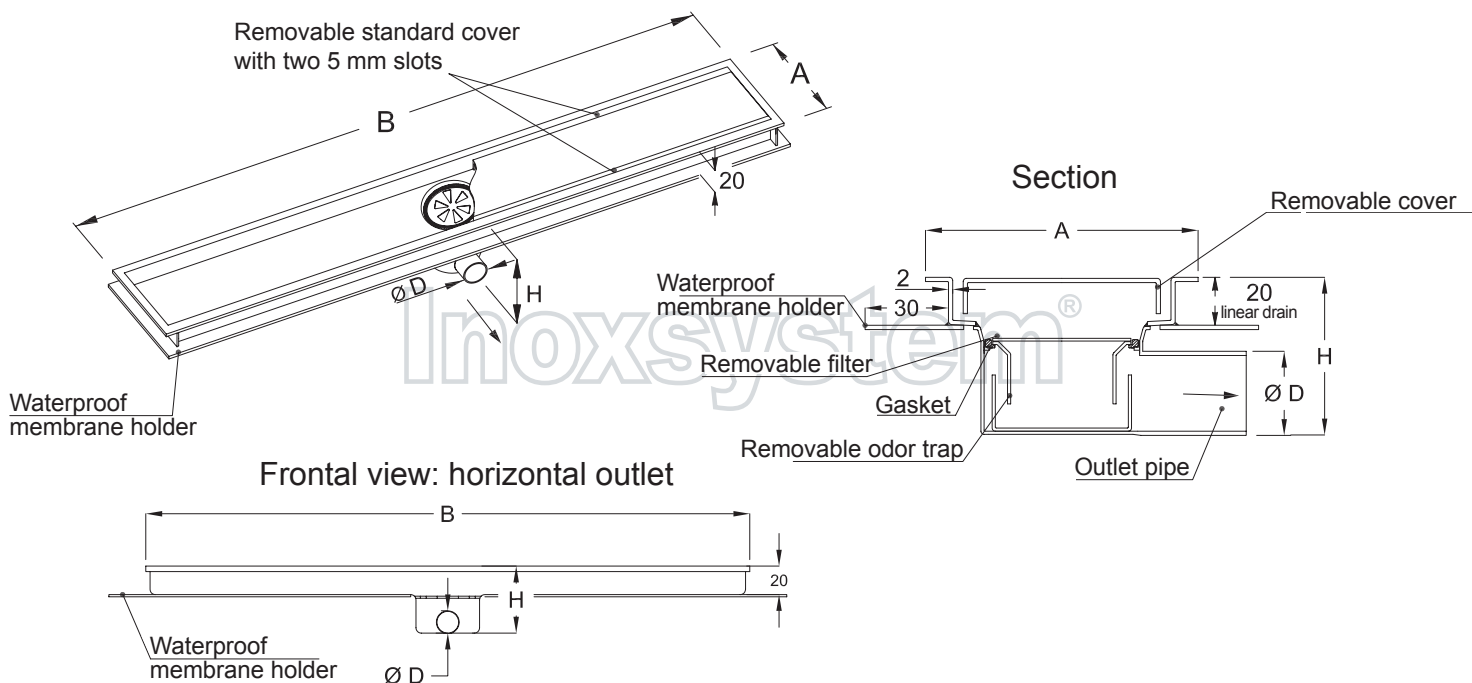
- All the drawings, pictures and descriptions in this catalogue are property of Inoxsystem®. They cannot be used or copied without our formal permission.

Inoxsystem® IDrain 3070 - Double slot linear drain with odor trap, entirely made of 2 mm thick stainless steel and completely inspectable to ensure high standards of robustness, cleanliness and hygiene - Waterproof membrane holder

Inoxsystem® IDrain 3070



- 100 mm wide
- Satin finish edges
- Satin finish standard cover
- Two side slots
- Removable filter and odor trap
- Entirely made of 2 mm thick stainless steel
- Waterproof membrane holder



Inoxsystem® IDrain 3070 - Linear drain - Standard cover with two slots - width 100 mm - visible edges central horizontal outlet Ø 40 - removable odor trap and filter - waterproof membrane holder

Art.:	A Width	B Length	H Height	Ø Outlet	Flow rate lt/min	Removable cover
3071401070	100	700	70	40	28	Standard
3071401080	100	800	70	40	28	Standard
3071401090	100	900	70	40	28	Standard
30714010100	100	1000	70	40	28	Standard
30714010110	100	1100	70	40	28	Standard
30714010120	100	1200	70	40	28	Standard
30714010AR	100	On request	70	40	28	Standard

Dwg. No. 3071 - Made of: Aisi 304 stainless steel, 2 mm thick - Aisi 316 on request

Inoxsystem® IDrain 3070 - Linear drain - Standard cover with two side slots - width 100 mm - visible edges central horizontal outlet Ø 50 - removable odor trap and filter - waterproof membrane holder

Art.:	A Width	B Length	H Height	Ø Outlet	Flow rate lt/min	Removable cover
3071501070	100	700	80	50	28	Standard
3071501080	100	800	80	50	28	Standard
3071501090	100	900	80	50	28	Standard
30715010100	100	1000	80	50	28	Standard
30715010110	100	1100	80	50	28	Standard
30715010120	100	1200	80	50	28	Standard
30715010AR	100	On request	80	50	28	Standard

Dwg. No. 3071 - Made of: Aisi 304 stainless steel, 2 mm thick - Aisi 316 on request

Note: Inoxsystem® IDrain linear drains can be provided with vertical outlet including removable odor trap and filter (see page 14).

ON REQUEST - See accessories at page 13 and 14 of this catalogue

- Art. "....." (to be specified) Different type of removable two-slot cover with decorative patterns to replace the removable standard cover. It is necessary to indicate the code of the linear drain which cover must be replaced and the chosen type of cover.

- Art "IDPL" - Dual set of adjustable feet complete with double sided tape to ensure perfectly level installation of Inoxsystem® IDrain channels.

- Art. "IDGS" Lifting hook to facilitate the removal of covers, filters and odor traps of Inoxsystem® IDrain channels and floor drains.

NOTE: - All dimensions can be modified upon request.

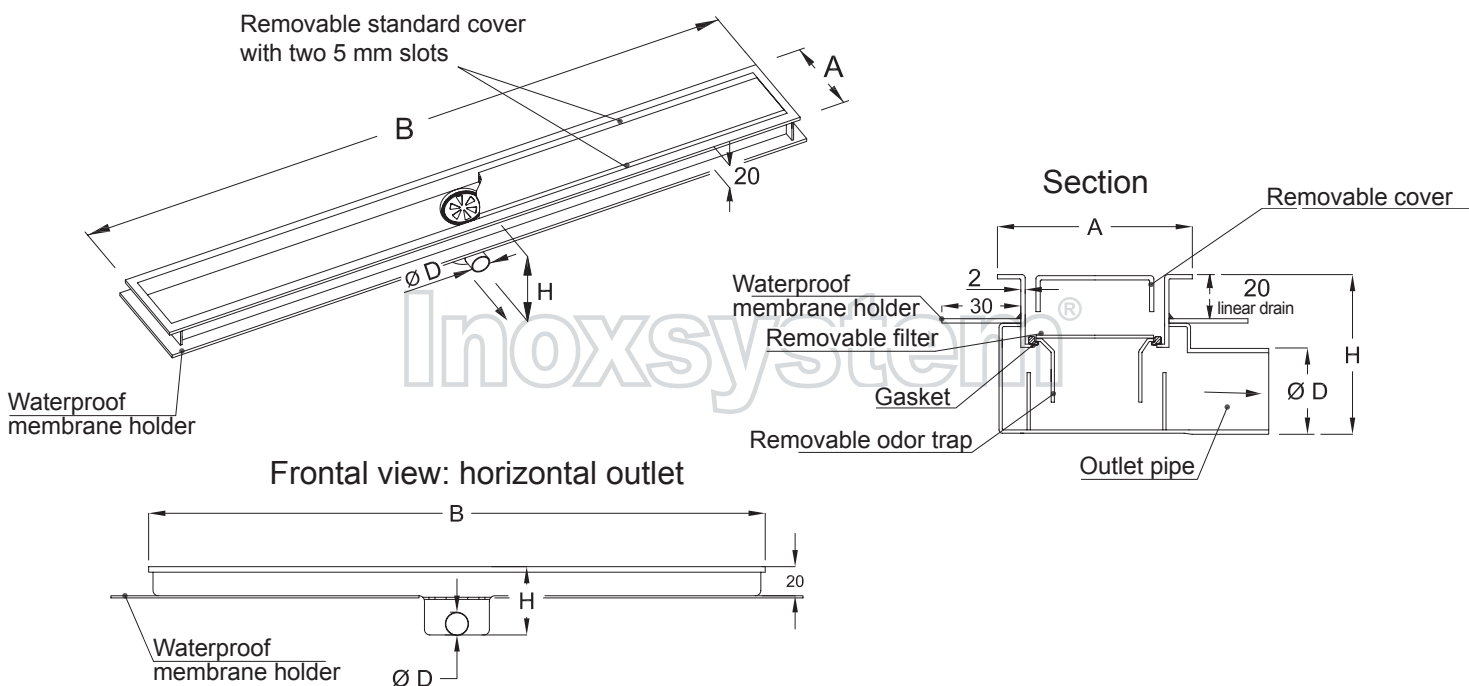
- All the drawings, pictures and descriptions in this catalogue are property of Inoxsystem®. They cannot be used or copied without our formal permission.

Inoxsystem® IDrain 3090 - Double slot linear drain with odor trap, entirely made of 2 mm thick stainless steel and completely inspectable to ensure high standards of robustness, cleanliness and hygiene - Waterproof membrane holder

Inoxsystem® IDrain 3090



- 70 mm wide
- Satin finish edges
- Satin finish standard cover
- Two side slots
- Removable filter and odor trap
- Entirely made of 2 mm thick stainless steel
- Waterproof membrane holder



Inoxsystem® IDrain 3090 - Linear drain - Standard cover with two side slots - width 70 mm - visible edges central horizontal outlet Ø 40 - removable odor trap and filter - waterproof membrane holder

Art.:	A Width	B Length	H Height	Ø Outlet	Flow rate lt/min	Removable cover
309140770	70	700	70	40	18	Standard
309140780	70	800	70	40	18	Standard
309140790	70	900	70	40	18	Standard
3091407100	70	1000	70	40	18	Standard
3091407110	70	1100	70	40	18	Standard
3091407120	70	1200	70	40	18	Standard
3091407AR	70	On request	70	40	18	Standard

Dwg. No. 3091 - Made of: Aisi 304 stainless steel, 2 mm thick - Aisi 316 on request

Inoxsystem® IDrain 3090 - Linear drain - Standard cover with two side slots - width 70 mm - visible edges central horizontal outlet Ø 50 - removable odor trap and filter - waterproof membrane holder

Art.:	A Width	B Length	H Height	Ø Outlet	Flow rate lt/min	Removable cover
309150770	70	700	80	50	18	Standard
309150780	70	800	80	50	18	Standard
309150790	70	900	80	50	18	Standard
3091507100	70	1000	80	50	18	Standard
3091507110	70	1100	80	50	18	Standard
3091507120	70	1200	80	50	18	Standard
3091507AR	70	On request	80	50	18	Standard

Dwg. No. 3091 - Made of: Aisi 304 stainless steel, 2 mm thick - Aisi 316 on request

Note: Inoxsystem® IDrain linear drains can be provided with vertical outlet including removable odor trap and filter (see page 14).

ON REQUEST - See accessories at page 13 and 14 of this catalogue

- Art. "....." (to be specified) Different type of removable two-slot cover with decorative patterns to replace the removable standard cover. It is necessary to indicate the code of the linear drain which cover must be replaced and the chosen type of cover.

- Art. "IDPL" - Dual set of adjustable feet complete with double sided tape to ensure perfectly level installation of Inoxsystem® IDrain channels.

- Art. "IDGS" Lifting hook to facilitate the removal of covers, filters and odor traps of Inoxsystem® IDrain channels and floor drains.

NOTE: - All dimensions can be modified upon request.

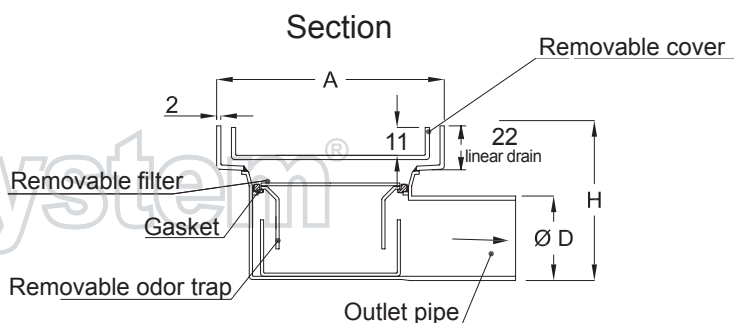
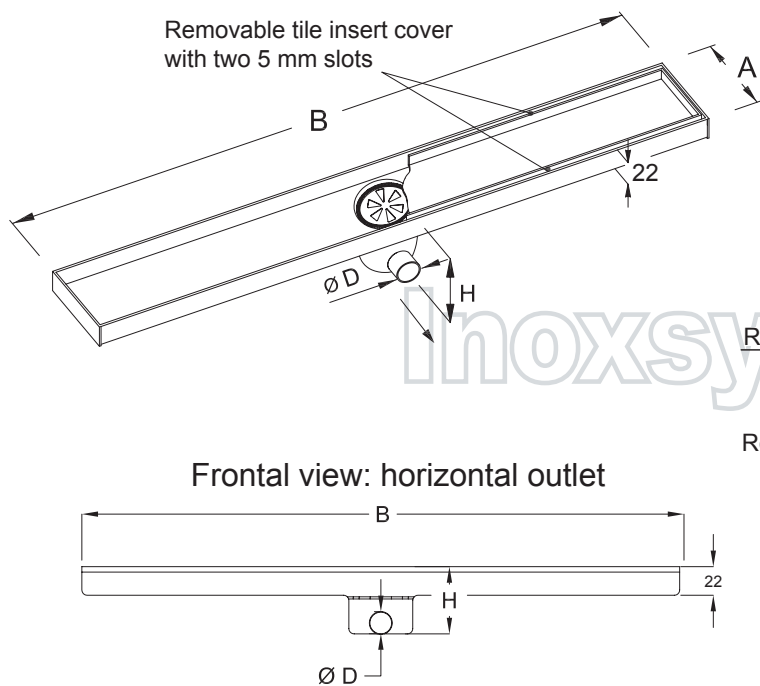
- All the drawings, pictures and descriptions in this catalogue are property of Inoxsystem®. They cannot be used or copied without our formal permission.

Inoxsystem® IDrain 3260 - Double slot linear drain with odor trap, entirely made of 2 mm thick stainless steel and completely inspectable to ensure high standards of robustness, cleanliness and hygiene - removable tile insert cover with two side slots

Inoxsystem® IDrain 3260



- 84 mm wide
- No edges
- Tile insert cover
- Two side slots
- Removable filter and odor trap
- Entirely made of 2 mm thick stainless steel



Inoxsystem® IDrain 3260 - Linear drain - Tile insert cover with two side slots - width 84 mm - no edges - central horizontal outlet Ø 40 - removable odor trap and filter						
Art.:	A Width	B Length	H Height	Ø Outlet	Flow rate lt/min	Removable cover
326140870	84	700	70	40	28	Tile insert
326140880	84	800	70	40	28	Tile insert
326140890	84	900	70	40	28	Tile insert
3261408100	84	1000	70	40	28	Tile insert
3261408110	84	1100	70	40	28	Tile insert
3261408120	84	1200	70	40	28	Tile insert
3261408AR	84	On request	70	40	28	Tile insert

Dwg. No. 3261 - Made of: Aisi 304 stainless steel, 2 mm thick - Aisi 316 on request

Inoxsystem® IDrain 3260 - Linear drain - Tile insert cover with two side slots - width 84 mm - no edges - central horizontal outlet Ø 50 - removable odor trap and filter						
Art.:	A Width	B Length	H Height	Ø Outlet	Flow rate lt/min	Removable cover
326150870	84	700	80	50	28	Tile insert
326150880	84	800	80	50	28	Tile insert
326150890	84	900	80	50	28	Tile insert
3261508100	84	1000	80	50	28	Tile insert
3261508110	84	1100	80	50	28	Tile insert
3261508120	84	1200	80	50	28	Tile insert
3261508AR	84	On request	80	50	28	Tile insert

Dwg. No. 3261 - Made of: Aisi 304 stainless steel, 2 mm thick - Aisi 316 on request

Note: Inoxsystem® IDrain linear drains can be provided with vertical outlet including removable odor trap and filter (see page 14).

ON REQUEST - See accessories at page 13 and 14 of this catalogue

- Art. "....." (to be specified) Different type of removable two-slot cover with decorative patterns to replace the removable tile insert cover. It is necessary to indicate the code of the linear drain which cover must be replaced and the chosen type of cover.
- Art "IDPL" - Dual set of adjustable feet complete with double sided tape to ensure perfectly level installation of Inoxsystem® IDrain channels.
- Art. "IDGS" Lifting hook to facilitate the removal of covers, filters and odor traps of Inoxsystem® IDrain channels and floor drains.

NOTE: - All dimensions can be modified upon request.

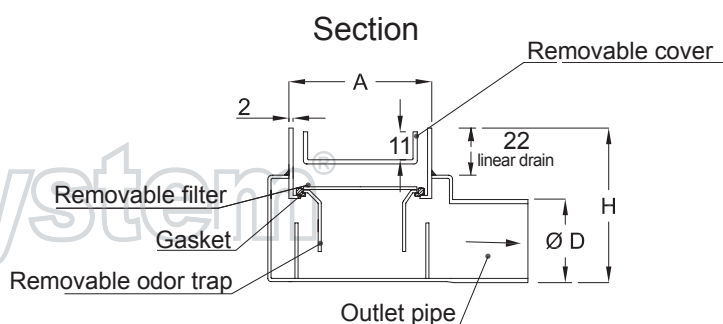
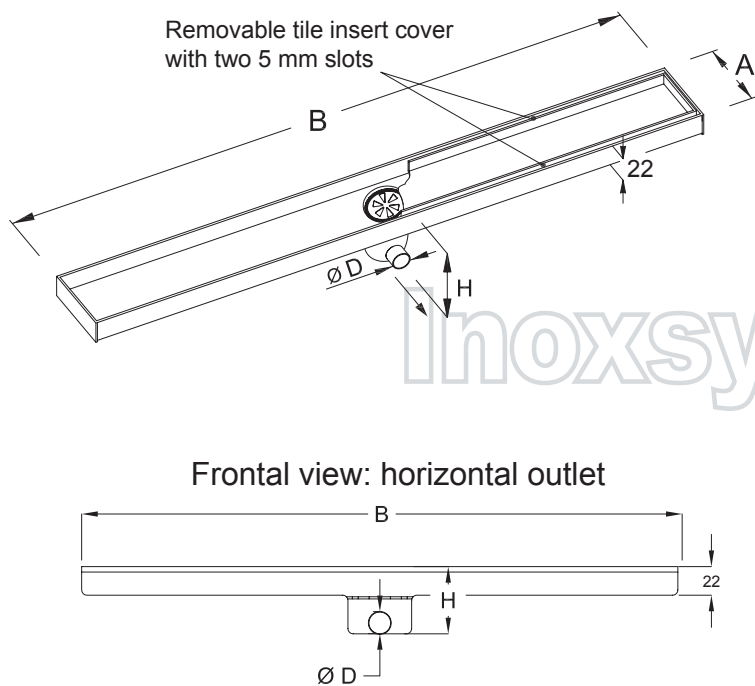
- All the drawings, pictures and descriptions in this catalogue are property of Inoxsystem®. They cannot be used or copied without our formal permission.

Inoxsystem® IDrain 3280 - Double slot linear drain with odor trap, entirely made of 2 mm thick stainless steel and completely inspectable to ensure high standards of robustness, cleanliness and hygiene - removable tile insert cover with two side slots

Inoxsystem® IDrain 3280



- 54 mm wide
- No edges
- Tile insert cover
- Two side slots
- Removable filter and odor trap
- Entirely made of 2 mm thick stainless steel



Inoxsystem® IDrain 3280 - Linear drain - Tile insert cover with two side slots - width 54 mm - no edges - central horizontal outlet Ø 40 - removable odor trap and filter						
Art.:	A Width	B Length	H Height	Ø Outlet	Flow rate lt/min	Removable cover
328140570	54	700	70	40	18	Tile insert
328140580	54	800	70	40	18	Tile insert
328140590	54	900	70	40	18	Tile insert
3281405100	54	1000	70	40	18	Tile insert
3281405110	54	1100	70	40	18	Tile insert
3281405120	54	1200	70	40	18	Tile insert
3281405AR	54	On request	70	40	18	Tile insert

Dwg. No. 3281 - Made of: Aisi 304 stainless steel, 2 mm thick - Aisi 316 on request

Inoxsystem® IDrain 3280 - Linear drain - Tile insert cover with two side slots - width 54 mm - no edges - central horizontal outlet Ø 50 - removable odor trap and filter						
Art.:	A Width	B Length	H Height	Ø Outlet	Flow rate lt/min	Removable cover
328150570	54	700	80	50	18	Tile insert
328150580	54	800	80	50	18	Tile insert
328150590	54	900	80	50	18	Tile insert
3281505100	54	1000	80	50	18	Tile insert
3281505110	54	1100	80	50	18	Tile insert
3281505120	54	1200	80	50	18	Tile insert
3281505AR	54	On request	80	50	18	Tile insert

Dwg. No. 3281 - Made of: Aisi 304 stainless steel, 2 mm thick - Aisi 316 on request

Note: Inoxsystem® IDrain linear drains can be provided with vertical outlet including removable odor trap and filter (see page 14).

ON REQUEST - See accessories at page 13 and 14 of this catalogue

- Art. "....." (to be specified) Different type of removable two-slot cover with decorative patterns to replace the removable tile insert cover. It is necessary to indicate the code of the linear drain which cover must be replaced and the chosen type of cover.

- Art "IDPL" - Dual set of adjustable feet complete with double sided tape to ensure perfectly level installation of Inoxsystem® IDrain channels.

- Art. "IDGS" Lifting hook to facilitate the removal of covers, filters and odor traps of Inoxsystem® IDrain channels and floor drains.

NOTE: - All dimensions can be modified upon request.

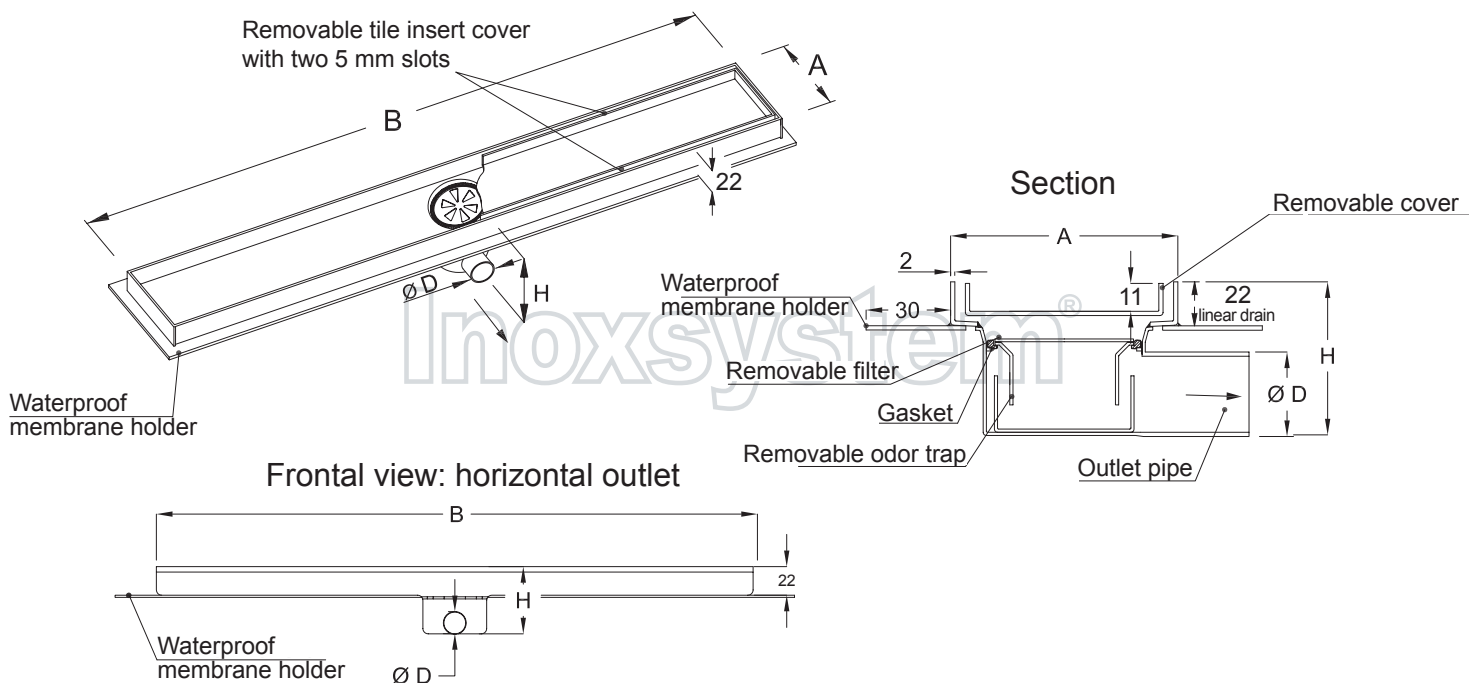
- All the drawings, pictures and descriptions in this catalogue are property of Inoxsystem®. They cannot be used or copied without our formal permission.

Inoxsystem® IDrain 3270 - Double slot linear drain with odor trap, entirely made of 2 mm thick stainless steel and completely inspectable to ensure high standards of robustness, cleanliness and hygiene - removable tile insert cover and waterproof membrane holder

Inoxsystem® IDrain 3270



- 84 mm wide
- No edges
- Tile insert cover
- Two side slots
- Removable filter and odor trap
- Entirely made of 2 mm thick stainless steel
- Waterproof membrane holder



Inoxsystem® IDrain 3270 - Linear drain - Tile insert cover with two side slots - width 84 mm - no edges central horizontal outlet Ø 40 - removable odor trap and filter - waterproof membrane holder						
Art.:	A Width	B Length	H Height	Ø D Outlet	Flow rate lt/min	Removable cover
327140870	84	700	70	40	28	Tile insert
327140880	84	800	70	40	28	Tile insert
327140890	84	900	70	40	28	Tile insert
3271408100	84	1000	70	40	28	Tile insert
3271408110	84	1100	70	40	28	Tile insert
3271408120	84	1200	70	40	28	Tile insert
3271408AR	84	On request	70	40	28	Tile insert

Dwg. No. 3271 - Made of: Aisi 304 stainless steel, 2 mm thick - Aisi 316 on request

Inoxsystem® IDrain 3270 - Linear drain - Tile insert cover with two side slots - width 84 mm - no edges central horizontal outlet Ø 50 - removable odor trap and filter - waterproof membrane holder						
Art.:	A Width	B Length	H Height	Ø D Outlet	Flow rate lt/min	Removable cover
327150870	84	700	80	50	28	Tile insert
327150880	84	800	80	50	28	Tile insert
327150890	84	900	80	50	28	Tile insert
3271508100	84	1000	80	50	28	Tile insert
3271508110	84	1100	80	50	28	Tile insert
3271508120	84	1200	80	50	28	Tile insert
3271508AR	84	On request	80	50	28	Tile insert

Dwg. No. 3271 - Made of: Aisi 304 stainless steel, 2 mm thick - Aisi 316 on request

Note: Inoxsystem® IDrain linear drains can be provided with vertical outlet including removable odor trap and filter (see page 14).

ON REQUEST - See accessories at page 13 and 14 of this catalogue

- Art. "....." (to be specified) Different type of removable two-slot cover with decorative patterns to replace the removable tile insert cover. It is necessary to indicate the code of the linear drain which cover must be replaced and the chosen type of cover.

- Art "IDPL" - Dual set of adjustable feet complete with double sided tape to ensure perfectly level installation of Inoxsystem® IDrain channels.

- Art. "IDGS" Lifting hook to facilitate the removal of covers, filters and odor traps of Inoxsystem® IDrain channels and floor drains.

NOTE: - All dimensions can be modified upon request.

- All the drawings, pictures and descriptions in this catalogue are property of Inoxsystem®. They cannot be used or copied without our formal permission.

Inoxsystem® IDrain 3290 - Double slot linear drain with odor trap, entirely made of 2 mm thick stainless steel and completely inspectable to ensure high standards of robustness, cleanliness and hygiene - removable tile insert cover and waterproof membrane holder

Inoxsystem® IDrain 3290



- 54 mm wide
- No edges
- Tile insert cover
- Two side slots
- Removable filter and odor trap
- Entirely made of 2 mm thick stainless steel
- Waterproof membrane holder



Inoxsystem® IDrain 3290 - Linear drain - Tile insert cover with two side slots - width 54 mm - no edges central horizontal outlet Ø 40 - removable odor trap and filter - waterproof membrane holder						
Art.:	A Width	B Length	H Height	Ø Outlet	Flow rate lt/min	Removable cover
329140570	54	700	70	40	18	Tile insert
329140580	54	800	70	40	18	Tile insert
329140590	54	900	70	40	18	Tile insert
3291405100	54	1000	70	40	18	Tile insert
3291405110	54	1100	70	40	18	Tile insert
3291405120	54	1200	70	40	18	Tile insert
3291405AR	54	On request	70	40	18	Tile insert

Dwg. No. 3291 - Made of: Aisi 304 stainless steel, 2 mm thick - Aisi 316 on request

Inoxsystem® IDrain 3290 - Linear drain - Tile insert cover with two side slots - width 54 mm - no edges central horizontal outlet Ø 50 - removable odor trap and filter - waterproof membrane holder						
Art.:	A Width	B Length	H Height	Ø Outlet	Flow rate lt/min	Removable cover
329150570	54	700	80	50	18	Tile insert
329150580	54	800	80	50	18	Tile insert
329150590	54	900	80	50	18	Tile insert
3291505100	54	1000	80	50	18	Tile insert
3291505110	54	1100	80	50	18	Tile insert
3291505120	54	1200	80	50	18	Tile insert
3291505AR	54	On request	80	50	18	Tile insert

Dwg. No. 3291 - Made of: Aisi 304 stainless steel, 2 mm thick - Aisi 316 on request

Note: Inoxsystem® IDrain linear drains can be provided with vertical outlet including removable odor trap and filter (see page 14).

ON REQUEST - See accessories at page 13 and 14 of this catalogue

- Art. "....." (to be specified) Different type of removable two-slot cover with decorative patterns to replace the removable tile insert cover. It is necessary to indicate the code of the linear drain which cover must be replaced and the chosen type of cover.
- Art "IDPL" - Dual set of adjustable feet complete with double sided tape to ensure perfectly level installation of Inoxsystem® IDrain channels.
- Art. "IDGS" Lifting hook to facilitate the removal of covers, filters and odor traps of Inoxsystem® IDrain channels and floor drains.

NOTE: - All dimensions can be modified upon request.

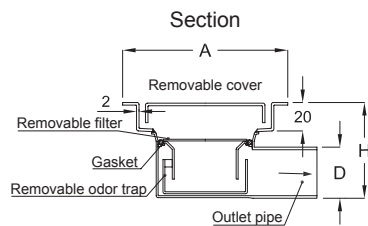
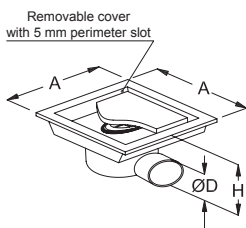
- All the drawings, pictures and descriptions in this catalogue are property of Inoxsystem®. They cannot be used or copied without our formal permission.

Inoxsystem® IDrain - Floor drain with odor trap entirely made of 2 mm thick stainless steel and completely inspectable to ensure high standards of robustness, cleanliness and hygiene

Inoxsystem® IDrain 3066 - Floor drain with horizontal outlet



- Satin finish edges
- Satin finish standard cover
- Perimeter slot
- Removable filter and odor trap
- Entirely made of 2 mm thick stainless steel



Inoxsystem® IDrain 3066 - Floor drain with standard cover and perimeter slot - square shape satin finish edges - horizontal outlet - removable filter and odor trap

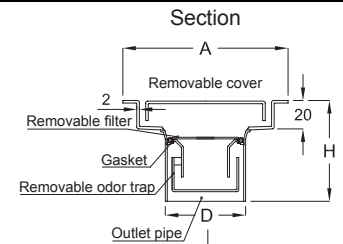
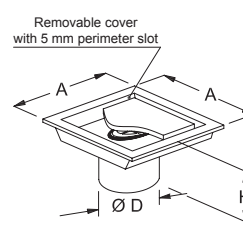
Art.:	A Width	B Length	D Ø Outlet	Flow rate lt/min	Removable cover
30664010	100	70	40	12	Standard
30665010	100	80	50	12	Standard
30664015	150	70	40	25	Standard
30665015	150	80	50	25	Standard
3066AR	On request	70/80	40/50	12/25	Standard

Dwg. No. 3066 - Made of: Aisi 304 stainless steel, 2 mm thick - Aisi 316 on request

Inoxsystem® IDrain 3068 - Floor drain with vertical outlet



- Satin finish edges
- Satin finish standard cover
- Perimeter slot
- Removable filter and odor trap
- Entirely made of 2 mm thick stainless steel



Inoxsystem® IDrain 3068 - Floor drain with standard cover and perimeter slot - square shape satin finish edges - horizontal outlet - removable filter and odor trap

Art.:	A Width	B Length	D Ø Outlet	Flow rate lt/min	Removable cover
30685010	100	80	50	12	Standard
30687510	100	80	75	25	Standard
30685015	150	80	50	12	Standard
30687515	150	80	75	25	Standard
3068AR	On request	70/80	50/75	12/25	Standard

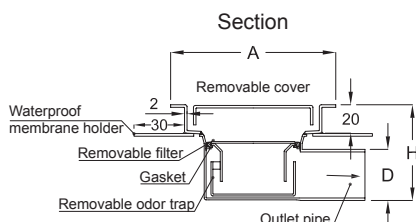
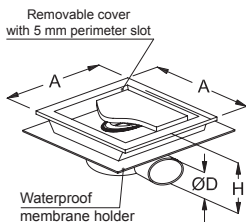
Dwg. No. 3068 - Made of: Aisi 304 stainless steel, 2 mm thick - Aisi 316 on request

Inoxsystem® IDrain - Floor drain with odor trap entirely made of 2 mm thick stainless steel and completely inspectable to ensure high standards of robustness, cleanliness and hygiene - waterproof membrane holder

Inoxsystem® IDrain 3076 - Floor drain with horizontal outlet



- Satin finish edges
- Satin finish standard cover
- Perimeter slot
- Removable filter and odor trap
- Entirely made of 2 mm thick stainless steel
- Waterproof membrane holder



Inoxsystem® IDrain 3076 - Floor drain with standard cover and perimeter slot - square shape satin finish edges - horizontal outlet - removable filter and odor trap

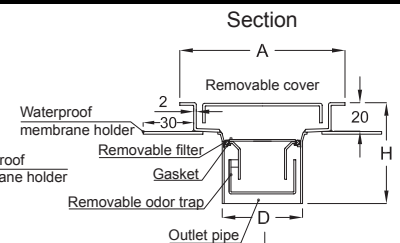
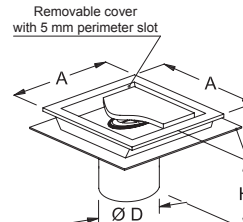
Art.:	A Width	B Length	D Ø Outlet	Flow rate lt/min	Removable cover
30764010	100	70	40	12	Standard
30765010	100	80	50	12	Standard
30764015	150	70	40	25	Standard
30765015	150	80	50	25	Standard
3076AR	On request	70/80	40/50	12/25	Standard

Dwg. No. 3076 - Made of: Aisi 304 stainless steel, 2 mm thick - Aisi 316 on request

Inoxsystem® IDrain 3078 - Floor drain with vertical outlet



- Satin finish edges
- Satin finish standard cover
- Perimeter slot
- Removable filter and odor trap
- Entirely made of 2 mm thick stainless steel
- Waterproof membrane holder



Inoxsystem® IDrain 3078 - Floor drain with standard cover and perimeter slot - square shape satin finish edges - horizontal outlet - removable filter and odor trap

Art.:	A Width	B Length	D Ø Outlet	Flow rate lt/min	Removable cover
30785010	100	80	50	12	Standard
30787510	100	80	75	25	Standard
30785015	150	80	50	12	Standard
30787515	150	80	75	25	Standard
3078AR	On request	70/80	50/75	12/25	Standard

Dwg. No. 3078 - Made of: Aisi 304 stainless steel, 2 mm thick - Aisi 316 on request

- Art. "IDGS" lifting hook to facilitate the removal of covers, filters and odor traps of Inoxsystem® IDrain channels and floor drains.

NOTE: - All dimensions can be modified upon request.

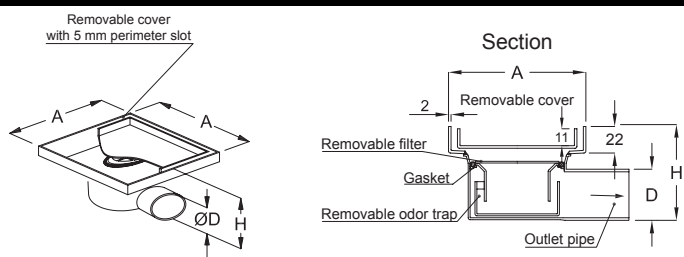
- All the drawings, pictures and descriptions in this catalogue are property of Inoxsystem®. They cannot be used or copied without our formal permission.

Inoxsystem® IDrain - Floor drain with odor trap entirely made of 2 mm thick stainless steel and completely inspectable to ensure high standards of robustness, cleanliness and hygiene - removable tile insert cover with perimeter slot

Inoxsystem® IDrain 3266 - Floor drain with horizontal outlet



- No edges
- Tile insert cover
- Perimeter slot
- Removable filter and odor trap
- Entirely made of 2 mm thick stainless steel



Inoxsystem® IDrain 3266 - Floor drain with tile insert cover and perimeter slot - square shape no edges - horizontal outlet - removable filter and odor trap

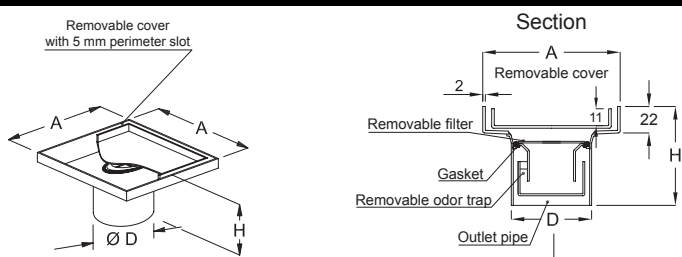
Art.:	A Width	B Length	D Ø Outlet	Flow rate lt/min	Removable cover
32664010	100	70	40	12	Tile insert
32665010	100	80	50	12	Tile insert
32664015	150	70	40	25	Tile insert
32665015	150	80	50	25	Tile insert
3266AR	On request	70/80	40/50	12/25	Tile insert

Dwg. No. 3266 - Made of: Aisi 304 stainless steel, 2 mm thick - Aisi 316 on request

Inoxsystem® IDrain 3268 - Floor drain with vertical outlet



- No edges
- Tile insert cover
- Perimeter slot
- Removable filter and odor trap
- Entirely made of 2 mm thick stainless steel



Inoxsystem® IDrain 3268 - Floor drain with tile insert cover and perimeter slot - square shape no edges - horizontal outlet - removable filter and odor trap

Art.:	A Width	B Length	D Ø Outlet	Flow rate lt/min	Removable cover
32685010	100	80	50	12	Tile insert
32687510	100	80	75	25	Tile insert
32685015	150	80	50	12	Tile insert
32687515	150	80	75	25	Tile insert
3268AR	On request	70/80	50/75	12/25	Tile insert

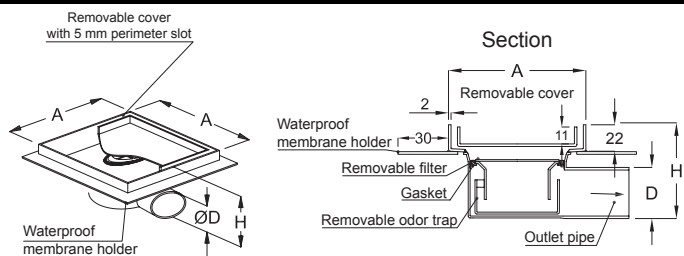
Dwg. No. 3268 - Made of: Aisi 304 stainless steel, 2 mm thick - Aisi 316 on request

Inoxsystem® IDrain - Floor drain with odor trap entirely made of 2 mm thick stainless steel and completely inspectable to ensure high standards of robustness, cleanliness and hygiene - removable tile insert cover with perimeter slot and waterproof membrane holder

Inoxsystem® IDrain 3276 - Floor drain with horizontal outlet



- No edges
- Tile insert cover
- Perimeter slot
- Removable filter and odor trap
- Entirely made of 2 mm thick stainless steel
- Waterproof membrane holder



Inoxsystem® IDrain 3276 - Floor drain with tile insert cover and perimeter slot - square shape no edges - horizontal outlet - removable filter and odor trap

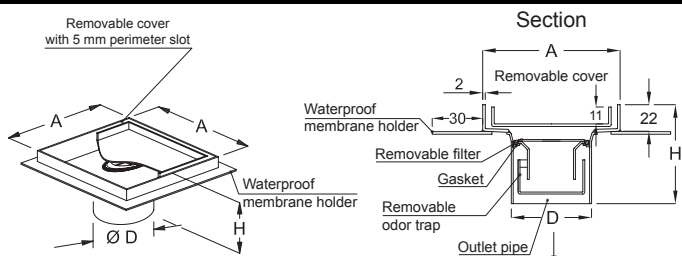
Art.:	A Width	B Length	D Ø Outlet	Flow rate lt/min	Removable cover
32764010	100	70	40	12	Tile insert
32765010	100	80	50	12	Tile insert
32764015	150	70	40	25	Tile insert
32765015	150	80	50	25	Tile insert
3276AR	On request	70/80	40/50	12/25	Tile insert

Dwg. No. 3276 - Made of: Aisi 304 stainless steel, 2 mm thick - Aisi 316 on request

Inoxsystem® IDrain 3278 - Floor drain with vertical outlet



- No edges
- Tile insert cover
- Perimeter slot
- Removable filter and odor trap
- Entirely made of 2 mm thick stainless steel
- Waterproof membrane holder



Inoxsystem® IDrain 3278 - Floor drain with tile insert cover and perimeter slot - square shape no edges - horizontal outlet - removable filter and odor trap

Art.:	A Width	B Length	D Ø Outlet	Flow rate lt/min	Removable cover
32785010	100	80	50	12	Tile insert
32787510	100	80	75	25	Tile insert
32785015	150	80	50	12	Tile insert
32787515	150	80	75	25	Tile insert
3278AR	On request	70/80	50/75	12/25	Tile insert

Dwg. No. 3278 - Made of: Aisi 304 stainless steel, 2 mm thick - Aisi 316 on request

- Art. "IDGS" lifting hook to facilitate the removal of covers, filters and odor traps of Inoxsystem® IDrain channels and floor drains.

NOTE: - All dimensions can be modified upon request.

- All the drawings, pictures and descriptions in this catalogue are property of Inoxsystem®. They cannot be used or copied without our formal permission.

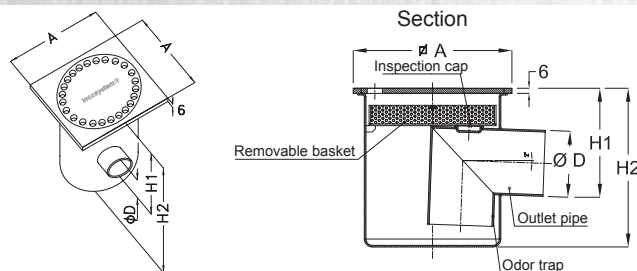
Inoxsystem® IDrain - Floor drain with odor trap entirely made of stainless steel and completely inspectable to ensure high standards of robustness, cleanliness and hygiene

Inoxsystem® IDrain 0011

Ultra-lowered floor drain with horizontal outlet



- 6 mm thick perforated solid cover
- Removable filter
- Odor trap



Inoxsystem® IDrain 0011 - Floor drain with 6 mm thick perforated solid cover - square shape - visible edges - ultra-lowered horizontal outlet with odor trap - removable filter

Art.:	A Width	H1 Length	H2 Length	D Outlet	Flow rate lt/min	Removable cover
IDL4025106	100	65	90	40	12	Perforated plate
IDL5025156	150	75	110	50	40	Perforated plate

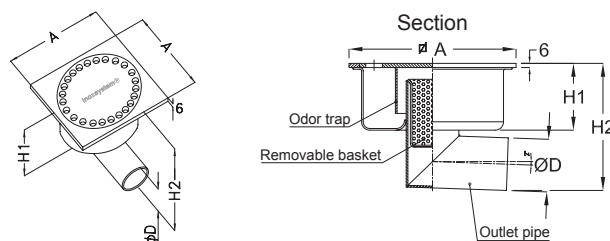
Dwg. No. 0011 - Made of: Aisi 304 stainless steel, 2 mm thick - Aisi 316 on request

Inoxsystem® IDrain 0010

Floor drain with horizontal outlet



- 6 mm thick perforated solid cover
- Removable filter
- Odor trap



Inoxsystem® IDrain 0010 - Floor drain with 6 mm thick perforated solid cover - square shape - visible edges - horizontal outlet with odor trap - removable filter

Art.:	A Width	H1 Length	H2 Length	D Outlet	Flow rate lt/min	Removable cover
ID40L106	100	40	85	40	12	Perforated plate
ID50L156	150	45	100	50	40	Perforated plate

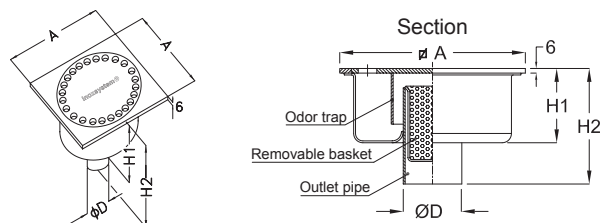
Dwg. No. 0010 - Made of: Aisi 304 stainless steel, 2 mm thick - Aisi 316 on request

Inoxsystem® IDrain 0013

Floor drain with vertical outlet



- 6 mm thick perforated solid cover
- Removable filter
- Odor trap



Inoxsystem® IDrain 0013 - Floor drain with 6 mm thick perforated solid cover - square shape - visible edges - horizontal outlet with odor trap - removable filter

Art.:	A Width	H1 Length	H2 Length	D Outlet	Flow rate lt/min	Removable cover
ID40V106	100	40	80	40	12	Perforated plate
ID50V156	150	45	90	50	40	Perforated plate

Dwg. No. 0013 - Made of: Aisi 304 stainless steel, 2 mm thick - Aisi 316 on request

TRIANGULAR COVER

All Inoxsystem® floor drains with 6 mm thick top plate can be provided with triangular cover, ideal to be placed in any corner of the floor.

TRIANGULAR COVER

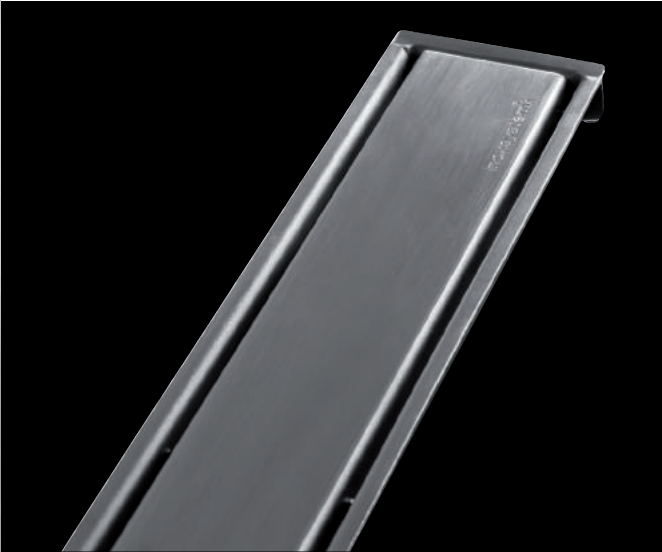


NOTE: - All dimensions can be modified upon request.

- All the drawings, pictures and descriptions in this catalogue are property of Inoxsystem®. They cannot be used or copied without our formal permission.

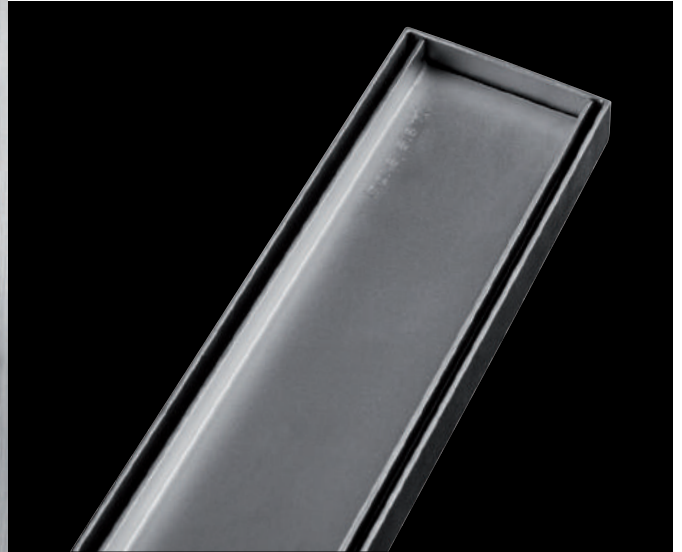
Removable standard cover with two slots, satin finish, provided with Inoxsystem® IDrain channels 3060 - 3080 - 3070 - 3090

Cover pattern: **Standard**



Removable tile insert cover with two slots provided with Inoxsystem® IDrain channels 3260 - 3280 - 3270 - 3290

Cover pattern: **Tile insert**



In addition to Inoxsystem® IDrain removable standard and tile insert covers, there are other different removable covers with two slots to chose from. *Note: when placing purchase order please indicate the code of the channel which cover must be replaced

Cover pattern: **Parallela**



Cover pattern: **Alternata**



Cover pattern: **Onde**



Cover pattern: **Smile**



Cover pattern: **Greek**



Cover pattern: **Customized ***

* Customized on request

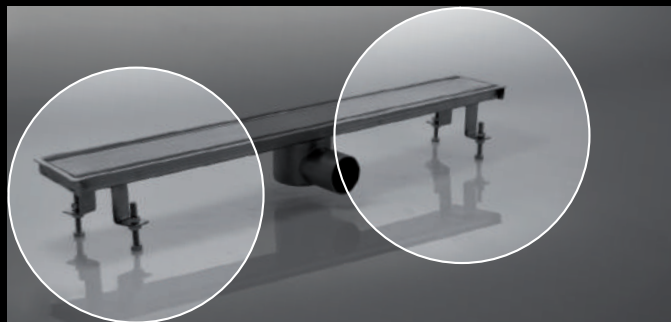


* Entirely made of 2 mm thick stainless steel.

Accessories suitable for
Inoxsystem® IDrain channels and floor drains

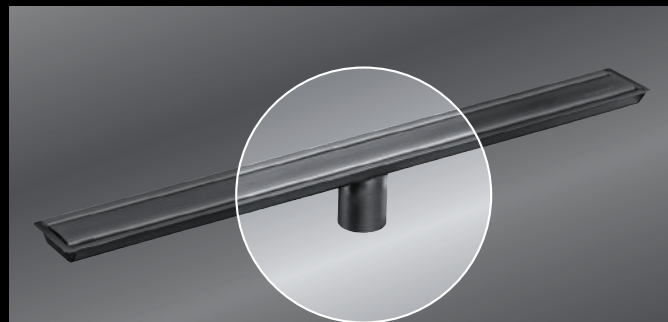
Inoxsystem® IDrain

IDPL - Dual set of adjustable feet complete with double sided tape to ensure perfectly level installation of Inoxsystem® IDrain channels



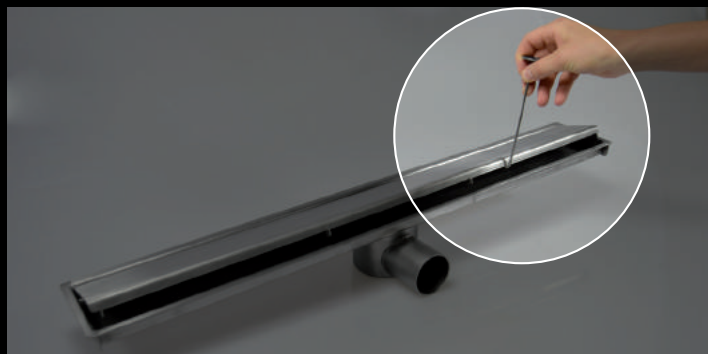
Inoxsystem® IDrain

An example of vertical outlet with removable odor trap and filter, suitable for all of Inoxsystem® IDrain channels



Inoxsystem® IDrain

IDGS - Lifting hook to facilitate the removal of covers, filters and odor traps of Inoxsystem® IDrain channels and floor drains



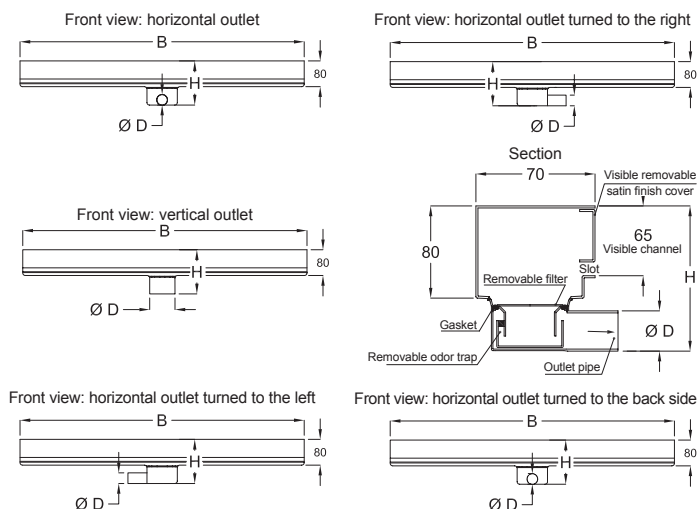
Inoxsystem® IDrain wall drain with slot at floor level

Inoxsystem® IDrain

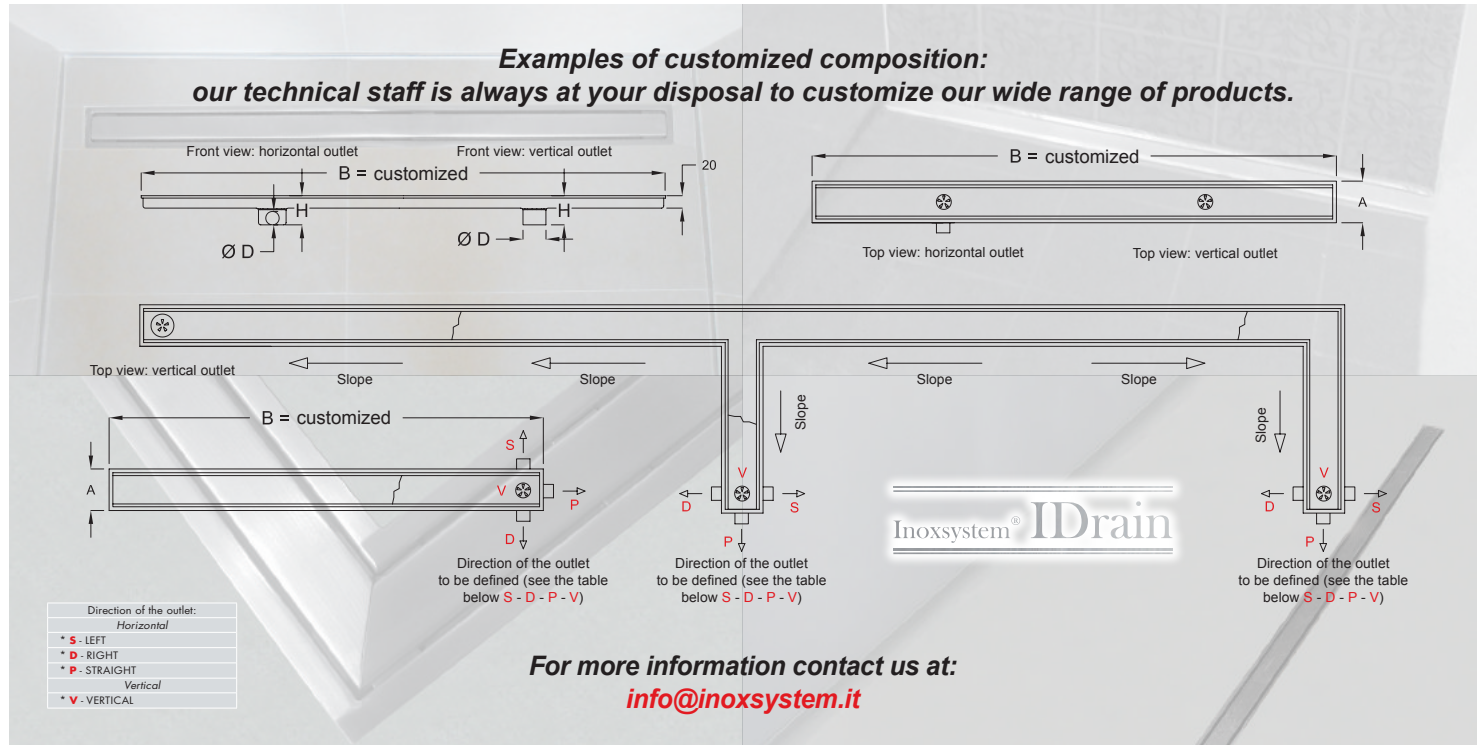
Line 3460



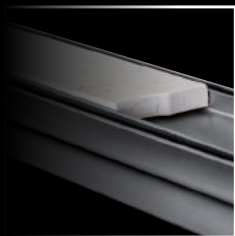
Removable filter and odor trap
Side slot at floor level
Removable satin finish cover
Entirely made of 2 mm thick stainless steel
Waterproof membrane holder upon request



* NOTE: - All dimensions can be modified upon request. All the channels can be equipped with a customized waterproof membrane holder.



Note: - The images show an example of linear drains with satin finish standard cover and tile insert cover installed in a shower. Please note that the position of the linear drains is for illustration purpose only. It is always recommended to slope the floor and install the linear drain on the opposite side, to keep water from splashing out of the shower.



FARA VICENTINO

MADE IN ITALY

GRAPHICHE
LEONI
Graphics and printing



Nina Moric for Inoxsystem® IDrain



Inoxsystem® IDrain

Inoxsystem® S.r.l.

Via Astico, 52/B - 36030 Fara Vicentino (VI) - Italy - Tel. +39 0445.300876 - Fax +39 0445.879197 - www.inoxsystem.it - info@inoxsystem.it