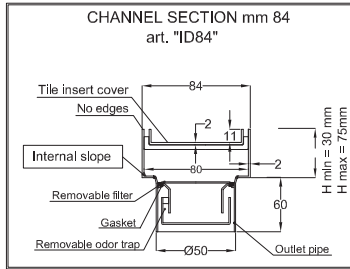
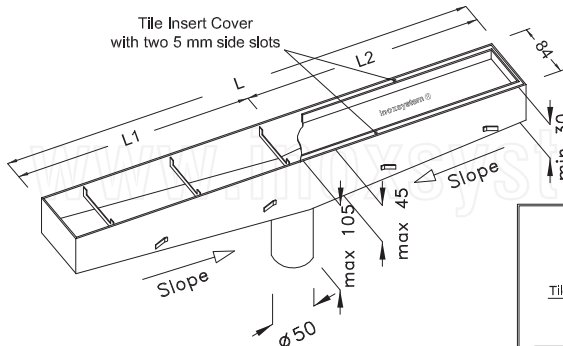


Line  
3020.84  
www.inoxsystem.it

**Linear drain "ITALIA Idrain" with double slot without edges**  
outlet pipe with odor trap and removable filter basket, with tile insert cover (IDrain type)  
Entirely made of Aisi 304 stainless steel (Aisi 316 Upon request)



**Inoxsystem®**

www.Inoxsystem.It - Info@Inoxsystem.It  
LINEAR DRAIN "ITALIA Idrain" WITHOUT EDGES  
TILE INSERT COVER  
REMOVABLE ODOR TRAP AND FILTER BASKET

Vertical outlet in the center

Made of Art.:

- Linear drain Italia Idrain Art. "ID84"
- Outlet pipe with removable odor trap and filter Art."IDSFE50V" (=Ø 50)
- Outlet pipe with removable odor trap and filter Art."IDSFE75V" (=Ø 75)
- Welded end cap Art. "IDTC"
- Further channel welding Art. "IDSC"

Upon request:

- Connection flanges Art. "IDFL"
- Corner weld Art. "IDA90"

\* all dimensions can be modified upon request

Dwg Inoxsystem®  
3023.54

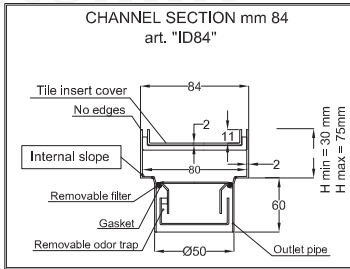
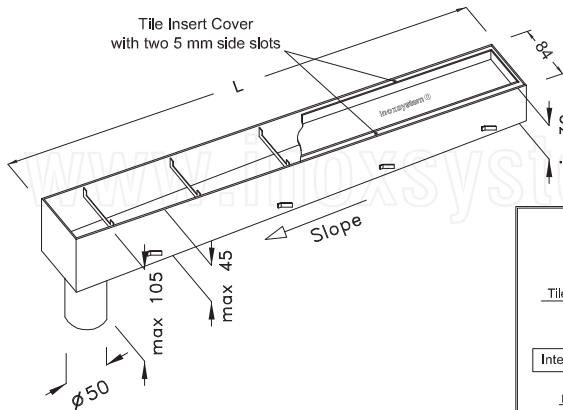
Art. CISVP

N.B.: dimensions in mm

Flow rate 12 lt/min

On request - outlet with Ø 75 mm - flow rate 18 lt/min  
- Other cover patterns available

AISI 304 stainless steel (AISI 316 on request) - Sheet thickness 1.5 mm



**Inoxsystem®**

www.Inoxsystem.it - Info@Inoxsystem.it  
LINEAR DRAIN "ITALIA Idrain" WITHOUT EDGES  
TILE INSERT COVER  
REMOVABLE ODOR TRAP AND FILTER BASKET

Vertical outlet on the head

Made of Art.:

- Linear drain Italia Idrain Art. "ID84"
- Outlet pipe with removable odor trap and filter Art."IDSFE50V" (=Ø 50)
- Outlet pipe with removable odor trap and filter Art."IDSFE75V" (=Ø 75)
- Welded end cap Art. "IDTC"
- Further channel welding Art. "IDSC"

Upon request:

- Connection flanges Art. "IDFL"
- Corner weld Art. "IDA90"

\* all dimensions can be modified upon request

Dwg Inoxsystem®  
3024.54

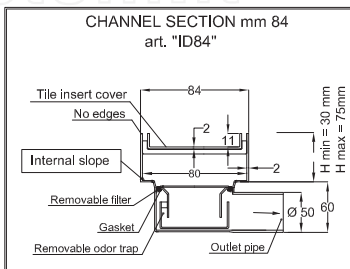
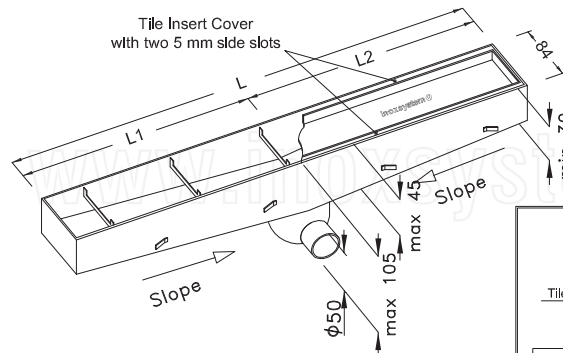
Art. CISVTP

N.B.: dimensions in mm

Flow rate 12 lt/min

On request - outlet with Ø 75 mm - flow rate 18 lt/min  
- Other cover patterns available

AISI 304 stainless steel (AISI 316 on request) - Sheet thickness 1.5 mm



**Inoxsystem®**

www.Inoxsystem.It - Info@Inoxsystem.It  
LINEAR DRAIN "ITALIA Idrain" WITHOUT EDGES  
TILE INSERT COVER  
REMOVABLE ODOR TRAP AND FILTER BASKET

Horizontal outlet in the centre

Made of Art.:

- Linear drain Italia Idrain Art. "ID84"
- Outlet pipe with removable odor trap and filter Art."IDSFE40L" (=Ø 40)
- Outlet pipe with removable odor trap and filter Art."IDSFE50L" (=Ø 50)
- Welded end cap Art. "IDTC"
- Further channel welding Art. "IDSC"

Upon request:

- Connection flanges Art. "IDFL"
- Corner weld Art. "IDA90"

\* all dimensions can be modified upon request

Dwg Inoxsystem®  
3021.54

Art. CISOP

N.B.: dimensions in mm

Flow rate 18 lt/min

On request - outlet with Ø 40 mm - with same flow rate  
- Other cover patterns available

AISI 304 stainless steel (AISI 316 on request) - Sheet thickness 1.5 mm

**Inoxsystem®**

www.inoxsystem.it - info@inoxsystem.it  
LINEAR DRAIN "ITALIA Idrain" WITHOUT EDGES  
TILE INSERT COVER  
REMOVABLE ODOR TRAP AND FILTER BASKET

Horizontal outlet on the head

Made of Art.:

- Linear drain Italia Idrain Art. "ID84"
- Outlet pipe with removable odor trap and filter Art."IDSFE40L" (=Ø 40)
- Outlet pipe with removable odor trap and filter Art."IDSFE50L" (=Ø 50)
- Welded end cap Art. "IDTC"
- Further channel welding Art. "IDSC"

Upon request:

- Connection flanges Art. "IDFL"
- Corner weld Art. "IDA90"

\* all dimensions can be modified upon request

Dwg Inoxsystem®  
3022.54

Art. CISOTP

N.B.: dimensions in mm

Flow rate 18 lt/min

On request - outlet with Ø 40 mm - with same flow rate  
- Other cover patterns available

AISI 304 stainless steel (AISI 316 on request) - Sheet thickness 1.5 mm

| OUTLET PIPE ORIENTATION |            |
|-------------------------|------------|
| S                       | - LEFT     |
| D                       | - RIGHT    |
| P                       | - STRAIGHT |