

**Line**  
**3050.100**  
www.inoxsystem.it

**Linear drain "ITALIA IDrain" with double slot**  
**outlet pipe with odor trap and removable filter basket (IDrain type)**  
**Entirely made of Aisi 304 stainless steel (Aisi 316 Upon request)**

**Inoxsystem®**

www.inoxsystem.it - info@inoxsystem.it  
LINEAR DRAIN "ITALIA IDrain"  
WITH SATIN FINISH EDGES  
REMOVABLE ODOR TRAP AND FILTER BASKET  
Vertical outlet in the center

**Made of Art.:**

- Linear drain Italia IDrain Art. "ID100"
- Outlet pipe with removable odor trap and filter Art."IDSFE50V" (≠ Ø 50)
- Outlet pipe with removable odor trap and filter Art."IDSFE75V" (≠ Ø 75)
- Butt weld end caps Art. "IDTC"
- Weld joint Art. "IDSC"

**Upon request:**

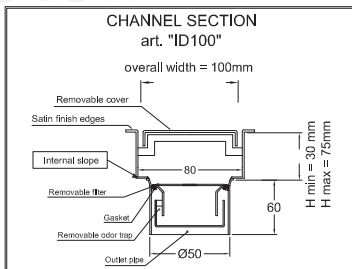
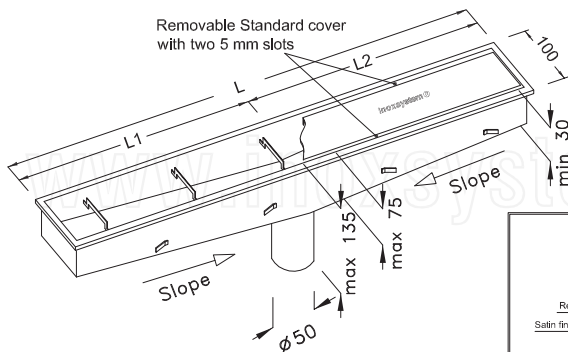
- Connection flanges Art. "IDFL"
- Corner weld Art. "IDA90"

\* all dimensions can be modified upon request

Dwg Inoxsystem®  
**3053.100**

Art. CISV

N.B.: dimensions in mm



Flow rate 12 lt/mIn  
On request: - outlet with Ø 75 mm - flow rate 25 lt/mIn  
- Other cover patterns available  
Aisi 304 stainless steel (Aisi 316 on request) - Sheet thickness 2 mm

**Inoxsystem®**

www.inoxsystem.it - info@inoxsystem.it  
LINEAR DRAIN "ITALIA IDrain"  
WITH SATIN FINISH EDGES  
REMOVABLE ODOR TRAP AND FILTER BASKET  
Vertical outlet on the head

**Made of Art.:**

- Linear drain Italia IDrain Art. "ID100"
- Outlet pipe with removable odor trap and filter Art."IDSFE50V" (≠ Ø 50)
- Outlet pipe with removable odor trap and filter Art."IDSFE75V" (≠ Ø 75)
- Butt weld end caps Art. "IDTC"
- Weld joint Art. "IDSC"

**Upon request:**

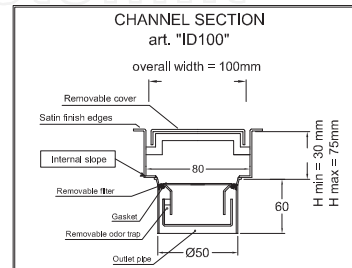
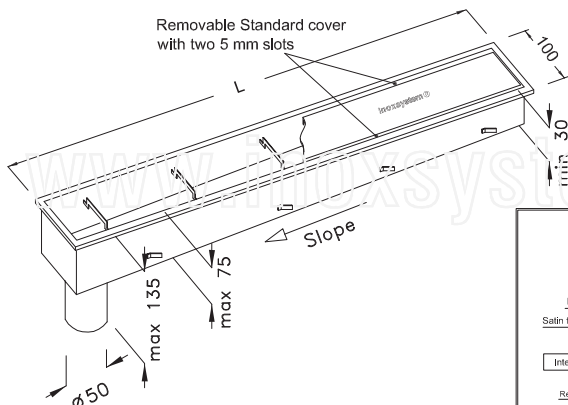
- Connection flanges Art. "IDFL"
- Corner weld Art. "IDA90"

\* all dimensions can be modified upon request

Dwg Inoxsystem®  
**3054.100**

Art. CISVT

N.B.: dimensions in mm



Flow rate 12 lt/mIn  
On request: - outlet with Ø 75 mm - flow rate 25 lt/mIn  
- Other cover patterns available  
Aisi 304 stainless steel (Aisi 316 on request) - Sheet thickness 2 mm

**Inoxsystem®**

www.inoxsystem.it - info@inoxsystem.it  
LINEAR DRAIN "ITALIA IDrain"  
WITH SATIN FINISH EDGES  
REMOVABLE ODOR TRAP AND FILTER BASKET  
Horizontal outlet in the center

**Made of Art.:**

- Linear drain Italia IDrain Art. "ID100"
- Outlet pipe with removable odor trap and filter Art."IDSFE40L" (≠ Ø 40)
- Outlet pipe with removable odor trap and filter Art."IDSFE50L" (≠ Ø 50)
- Butt weld end caps Art. "IDTC"
- Weld joint Art. "IDSC"

**Upon request:**

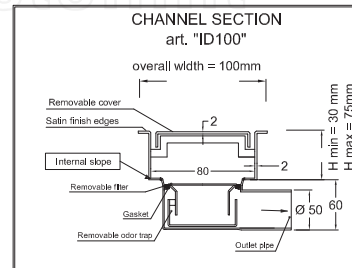
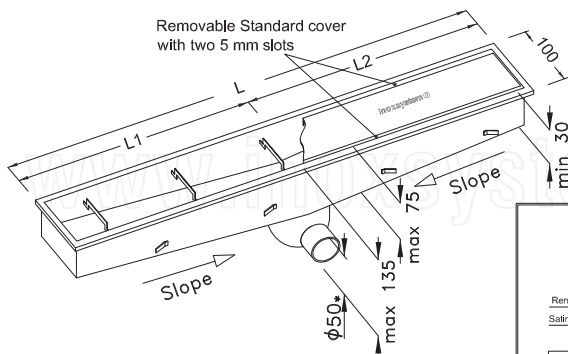
- Connection flanges Art. "IDFL"
- Corner weld Art. "IDA90"

\* all dimensions can be modified upon request

Dwg Inoxsystem®  
**3051.100**

Art. CISO

N.B.: dimensions in mm



Flow rate 28 lt/mIn  
On request: - outlet with Ø 40 mm - with same flow rate  
- Other cover patterns available  
Aisi 304 stainless steel (Aisi 316 on request) - Sheet thickness 2 mm

**Inoxsystem®**

www.inoxsystem.it - info@inoxsystem.it  
LINEAR DRAIN "ITALIA IDrain"  
WITH SATIN FINISH EDGES  
REMOVABLE ODOR TRAP AND FILTER BASKET  
Horizontal outlet on the head

**Made of Art.:**

- Linear drain Italia IDrain Art. "ID100"
- Outlet pipe with removable odor trap and filter Art."IDSFE40L" (≠ Ø 40)
- Outlet pipe with removable odor trap and filter Art."IDSFE50L" (≠ Ø 50)
- Butt weld end caps Art. "IDTC"
- Weld joint Art. "IDSC"

**Upon request:**

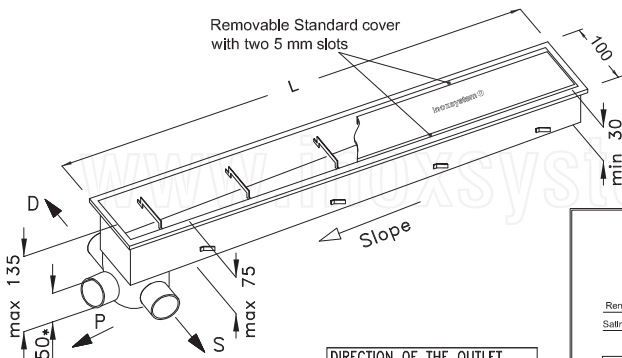
- Connection flanges Art. "IDFL"
- Corner weld Art. "IDA90"

\* all dimensions can be modified upon request

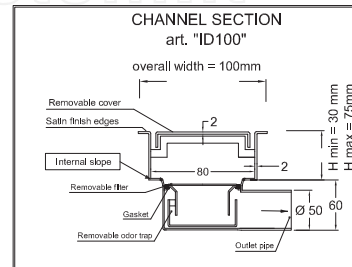
Dwg Inoxsystem®  
**3052.100**

Art. CISOT

N.B.: dimensions in mm



**DIRECTION OF THE OUTLET**  
S - LEFT  
D - RIGHT  
P - STRAIGHT



Flow rate 28 lt/mIn  
On request: - outlet with Ø 40 mm - with same flow rate  
- Other cover patterns available  
Aisi 304 stainless steel (Aisi 316 on request) - Sheet thickness 2 mm