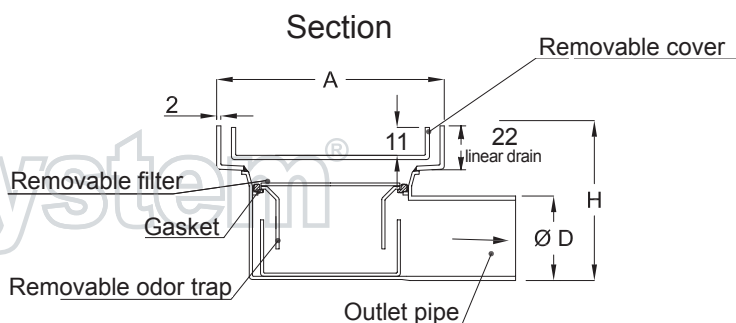
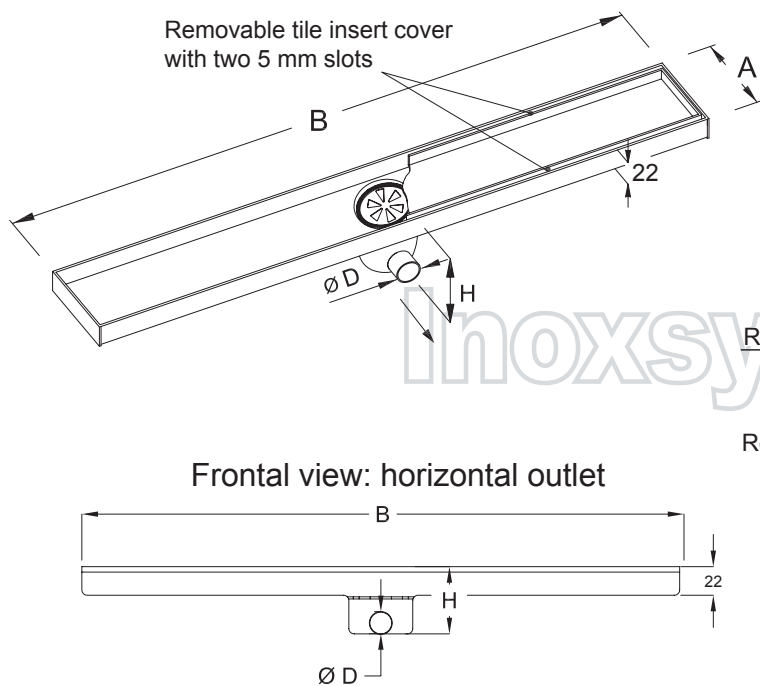


Inoxsystem® IDrain 3260 - Double slot linear drain with odor trap, entirely made of 2 mm thick stainless steel and completely inspectable to ensure high standards of robustness, cleanliness and hygiene - removable tile insert cover with two side slots

Inoxsystem® IDrain 3260



- 84 mm wide
- No edges
- Tile insert cover
- Two side slots
- Removable filter and odor trap
- Entirely made of 2 mm thick stainless steel



Inoxsystem® IDrain 3260 - Linear drain - Tile insert cover with two side slots - width 84 mm - no edges - central horizontal outlet Ø 40 - removable odor trap and filter						
Art.:	A Width	B Length	H Height	Ø Outlet	Flow rate lt/min	Removable cover
326140870	84	700	70	40	28	Tile insert
326140880	84	800	70	40	28	Tile insert
326140890	84	900	70	40	28	Tile insert
3261408100	84	1000	70	40	28	Tile insert
3261408110	84	1100	70	40	28	Tile insert
3261408120	84	1200	70	40	28	Tile insert
3261408AR	84	On request	70	40	28	Tile insert

Dwg. No. 3261 - Made of: Aisi 304 stainless steel, 2 mm thick - Aisi 316 on request

Inoxsystem® IDrain 3260 - Linear drain - Tile insert cover with two side slots - width 84 mm - no edges - central horizontal outlet Ø 50 - removable odor trap and filter						
Art.:	A Width	B Length	H Height	Ø Outlet	Flow rate lt/min	Removable cover
326150870	84	700	80	50	28	Tile insert
326150880	84	800	80	50	28	Tile insert
326150890	84	900	80	50	28	Tile insert
3261508100	84	1000	80	50	28	Tile insert
3261508110	84	1100	80	50	28	Tile insert
3261508120	84	1200	80	50	28	Tile insert
3261508AR	84	On request	80	50	28	Tile insert

Dwg. No. 3261 - Made of: Aisi 304 stainless steel, 2 mm thick - Aisi 316 on request

Note: Inoxsystem® IDrain linear drains can be provided with vertical outlet including removable odor trap and filter (see page 14).

ON REQUEST - See accessories at page 13 and 14 of this catalogue

- Art. "....." (to be specified) Different type of removable two-slot cover with decorative patterns to replace the removable tile insert cover. It is necessary to indicate the code of the linear drain which cover must be replaced and the chosen type of cover.
- Art "IDPL" - Dual set of adjustable feet complete with double sided tape to ensure perfectly level installation of Inoxsystem® IDrain channels.
- Art. "IDGS" Lifting hook to facilitate the removal of covers, filters and odor traps of Inoxsystem® IDrain channels and floor drains.

NOTE: - All dimensions can be modified upon request.

- All the drawings, pictures and descriptions in this catalogue are property of Inoxsystem®. They cannot be used or copied without our formal permission.