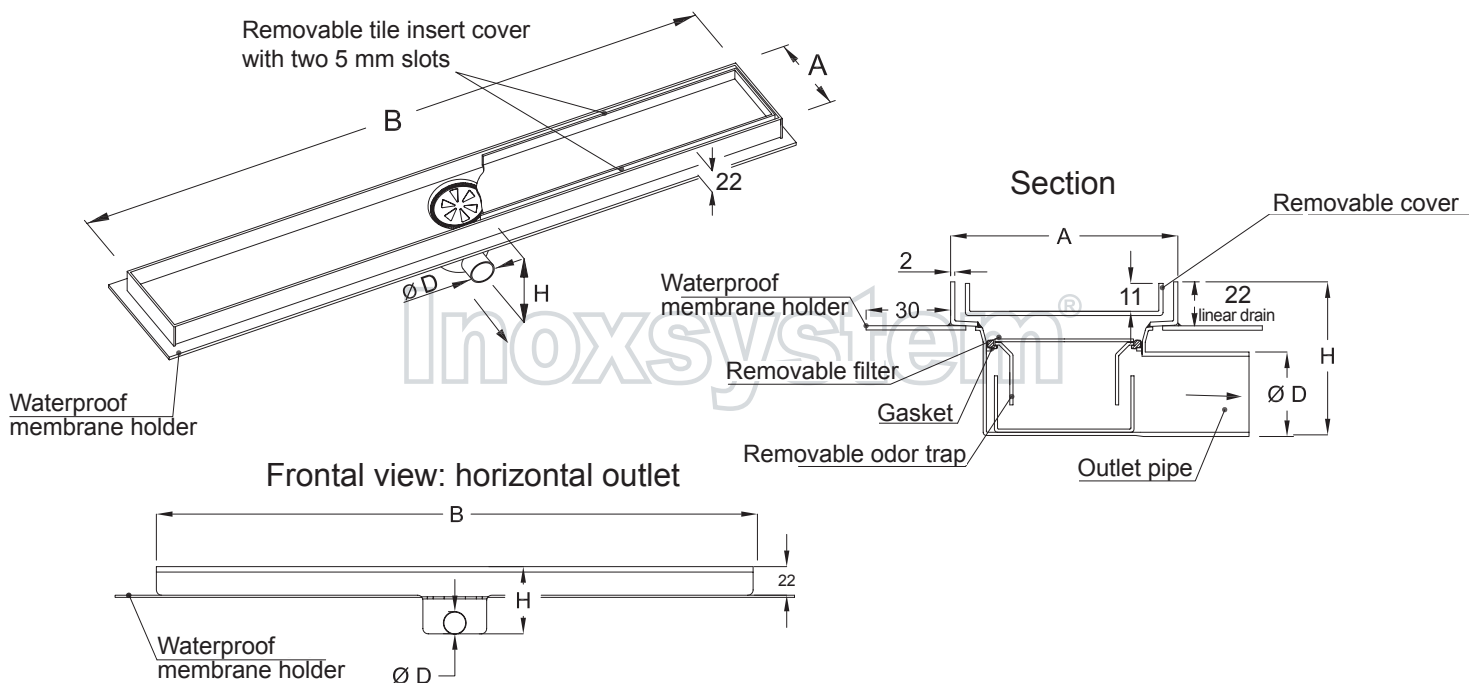


Inoxsystem® IDrain 3270 - Double slot linear drain with odor trap, entirely made of 2 mm thick stainless steel and completely inspectable to ensure high standards of robustness, cleanliness and hygiene - removable tile insert cover and waterproof membrane holder

Inoxsystem® IDrain 3270



- 84 mm wide
- No edges
- Tile insert cover
- Two side slots
- Removable filter and odor trap
- Entirely made of 2 mm thick stainless steel
- Waterproof membrane holder



Inoxsystem® IDrain 3270 - Linear drain - Tile insert cover with two side slots - width 84 mm - no edges central horizontal outlet Ø 40 - removable odor trap and filter - waterproof membrane holder						
Art.:	A Width	B Length	H Height	Ø D Outlet	Flow rate lt/min	Removable cover
327140870	84	700	70	40	28	Tile insert
327140880	84	800	70	40	28	Tile insert
327140890	84	900	70	40	28	Tile insert
3271408100	84	1000	70	40	28	Tile insert
3271408110	84	1100	70	40	28	Tile insert
3271408120	84	1200	70	40	28	Tile insert
3271408AR	84	On request	70	40	28	Tile insert

Dwg. No. 3271 - Made of: Aisi 304 stainless steel, 2 mm thick - Aisi 316 on request

Inoxsystem® IDrain 3270 - Linear drain - Tile insert cover with two side slots - width 84 mm - no edges central horizontal outlet Ø 50 - removable odor trap and filter - waterproof membrane holder						
Art.:	A Width	B Length	H Height	Ø D Outlet	Flow rate lt/min	Removable cover
327150870	84	700	80	50	28	Tile insert
327150880	84	800	80	50	28	Tile insert
327150890	84	900	80	50	28	Tile insert
3271508100	84	1000	80	50	28	Tile insert
3271508110	84	1100	80	50	28	Tile insert
3271508120	84	1200	80	50	28	Tile insert
3271508AR	84	On request	80	50	28	Tile insert

Dwg. No. 3271 - Made of: Aisi 304 stainless steel, 2 mm thick - Aisi 316 on request

Note: Inoxsystem® IDrain linear drains can be provided with vertical outlet including removable odor trap and filter (see page 14).

ON REQUEST - See accessories at page 13 and 14 of this catalogue

- Art. "....." (to be specified) Different type of removable two-slot cover with decorative patterns to replace the removable tile insert cover. It is necessary to indicate the code of the linear drain which cover must be replaced and the chosen type of cover.

- Art "IDPL" - Dual set of adjustable feet complete with double sided tape to ensure perfectly level installation of Inoxsystem® IDrain channels.

- Art. "IDGS" Lifting hook to facilitate the removal of covers, filters and odor traps of Inoxsystem® IDrain channels and floor drains.

NOTE: - All dimensions can be modified upon request.

- All the drawings, pictures and descriptions in this catalogue are property of Inoxsystem®. They cannot be used or copied without our formal permission.