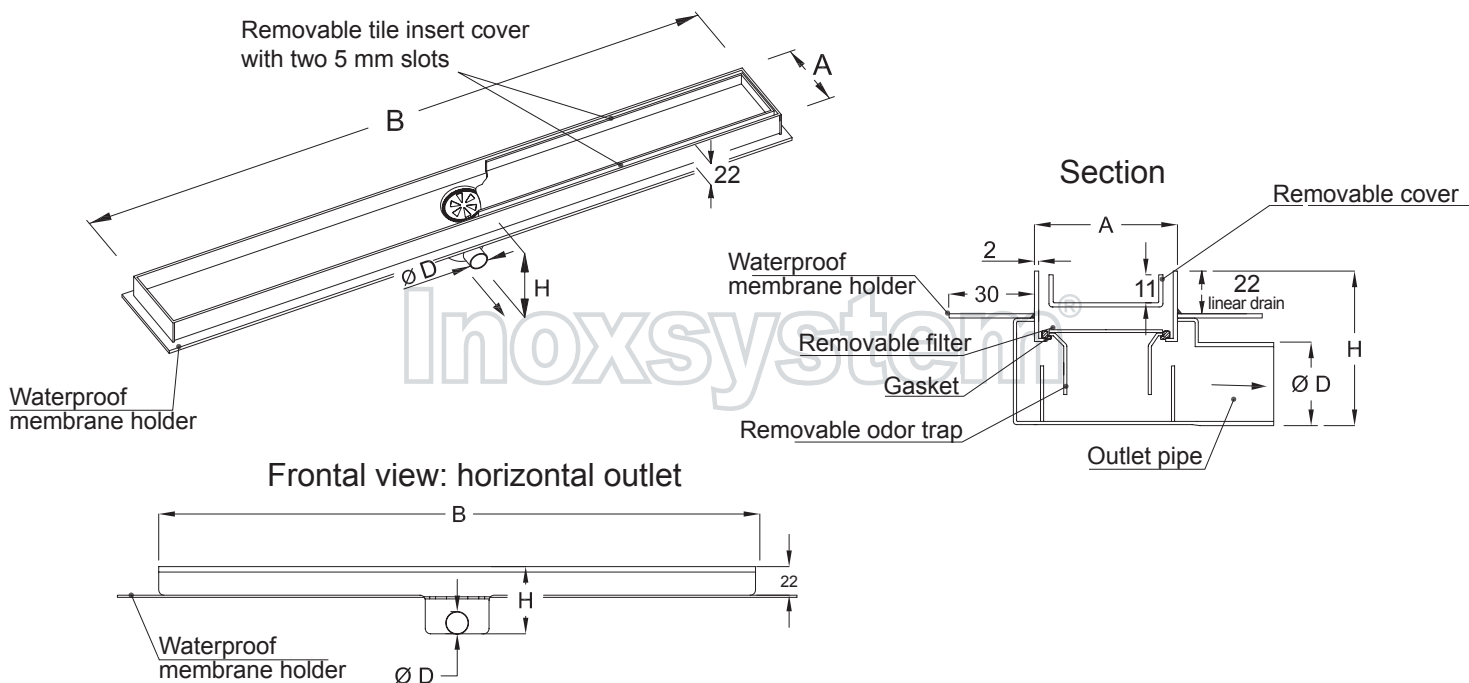


Inoxsystem® IDrain 3290 - Double slot linear drain with odor trap, entirely made of 2 mm thick stainless steel and completely inspectable to ensure high standards of robustness, cleanliness and hygiene - removable tile insert cover and waterproof membrane holder

Inoxsystem® IDrain 3290



- 54 mm wide
- No edges
- Tile insert cover
- Two side slots
- Removable filter and odor trap
- Entirely made of 2 mm thick stainless steel
- Waterproof membrane holder



Inoxsystem® IDrain 3290 - Linear drain - Tile insert cover with two side slots - width 54 mm - no edges central horizontal outlet Ø 40 - removable odor trap and filter - waterproof membrane holder						
Art.:	A Width	B Length	H Height	Ø Outlet	Flow rate lt/min	Removable cover
329140570	54	700	70	40	18	Tile insert
329140580	54	800	70	40	18	Tile insert
329140590	54	900	70	40	18	Tile insert
3291405100	54	1000	70	40	18	Tile insert
3291405110	54	1100	70	40	18	Tile insert
3291405120	54	1200	70	40	18	Tile insert
3291405AR	54	On request	70	40	18	Tile insert

Dwg. No. 3291 - Made of: Aisi 304 stainless steel, 2 mm thick - Aisi 316 on request

Inoxsystem® IDrain 3290 - Linear drain - Tile insert cover with two side slots - width 54 mm - no edges central horizontal outlet Ø 50 - removable odor trap and filter - waterproof membrane holder						
Art.:	A Width	B Length	H Height	Ø Outlet	Flow rate lt/min	Removable cover
329150570	54	700	80	50	18	Tile insert
329150580	54	800	80	50	18	Tile insert
329150590	54	900	80	50	18	Tile insert
3291505100	54	1000	80	50	18	Tile insert
3291505110	54	1100	80	50	18	Tile insert
3291505120	54	1200	80	50	18	Tile insert
3291505AR	54	On request	80	50	18	Tile insert

Dwg. No. 3291 - Made of: Aisi 304 stainless steel, 2 mm thick - Aisi 316 on request

Note: Inoxsystem® IDrain linear drains can be provided with vertical outlet including removable odor trap and filter (see page 14).

ON REQUEST - See accessories at page 13 and 14 of this catalogue

- Art. "....." (to be specified) Different type of removable two-slot cover with decorative patterns to replace the removable tile insert cover. It is necessary to indicate the code of the linear drain which cover must be replaced and the chosen type of cover.
- Art "IDPL" - Dual set of adjustable feet complete with double sided tape to ensure perfectly level installation of Inoxsystem® IDrain channels.
- Art. "IDGS" Lifting hook to facilitate the removal of covers, filters and odor traps of Inoxsystem® IDrain channels and floor drains.

NOTE: - All dimensions can be modified upon request.

- All the drawings, pictures and descriptions in this catalogue are property of Inoxsystem®. They cannot be used or copied without our formal permission.