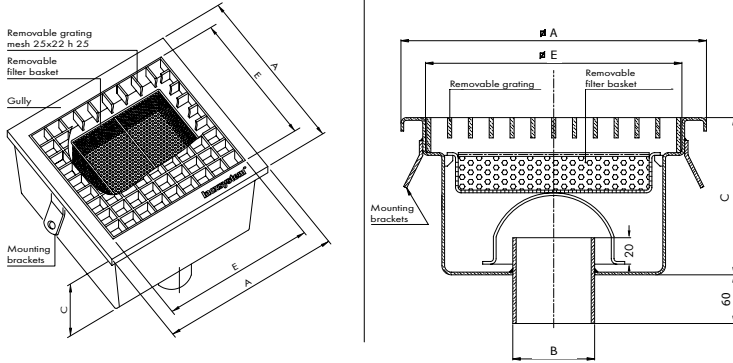


made of grade 304 stainless steel - grade 316 on request

### Drainage systems - Standard gullies and channels with grating.

STAINLESS STEEL GULLIES WITH GRATING AND REMOVABLE FILTER BASKET  
VERTICAL OUTLET WITH ODOR TRAP



ARTICLE	A	E	Ø B	C
PGV 200 50	200	150	50	110
PGV 300 50	300	250	50	110
PGV 400 50	400	350	50	110
PGV 500 50	500	450	50	110

Dimensions in mm

\* Low profile version

ARTICLE	A	E	Ø B	C
PGV 200 63	200	150	63	110
PGV 300 63	300	250	63	110
PGV 400 63	400	350	63	110
PGV 500 63	500	450	63	110

Dimensions in mm

\* Low profile version

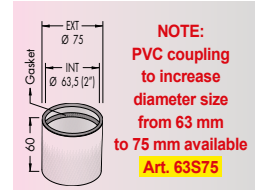
IDEAL FOR PROFESSIONAL KITCHENS AND FOOD PROCESSING FACILITIES



Dwg. No. 0512

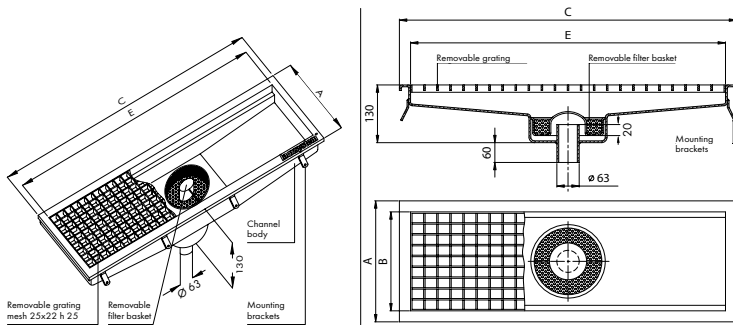
See page 11 for similar products

art. PGV .....



NOTE: PVC coupling to increase diameter size from 63 mm to 75 mm available  
Art. 63S75

STAINLESS STEEL CHANNELS WITH GRATING AND REMOVABLE FILTER BASKET  
CENTRAL VERTICAL OUTLET WITH ODOR TRAP



ARTICLE	A	B	C	E	ARTICLE	A	B	C	E	ARTICLE	A	B	C	E
CGV 20 105	200	150	1050	1000	CGV 20 205	200	150	2050	2000	CGV 20 305	200	150	3050	3000
CGV 30 105	300	250	1050	1000	CGV 30 205	300	250	2050	2000	CGV 30 305	300	250	3050	3000
CGV 40 105	400	350	1050	1000	CGV 40 205	400	350	2050	2000	CGV 40 305	400	350	3050	3000
CGV 50 105	500	450	1050	1000	CGV 50 205	500	450	2050	2000	CGV 50 305	500	450	3050	3000

Dimensions in mm

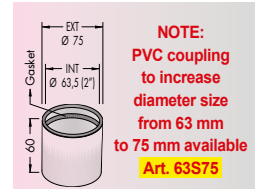
Available with square body gully and customized dimensions  
See page 34 line 0920



Dwg. No. 0912

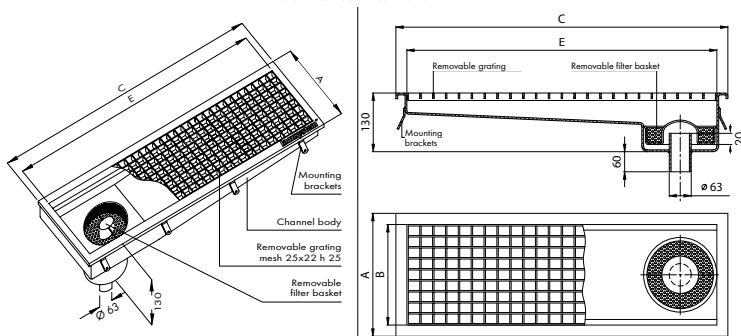
See page 34 line 0910

art. CGV .....



NOTE: PVC coupling to increase diameter size from 63 mm to 75 mm available  
Art. 63S75

STAINLESS STEEL CHANNELS WITH GRATING AND REMOVABLE FILTER BASKET  
END VERTICAL OUTLET WITH ODOR TRAP



ARTICLE	A	B	C	E	ARTICLE	A	B	C	E	ARTICLE	A	B	C	E
CGVT 20 105	200	150	1050	1000	CGVT 20 205	200	150	2050	2000	CGVT 20 305	200	150	3050	3000
CGVT 30 105	300	250	1050	1000	CGVT 30 205	300	250	2050	2000	CGVT 30 305	300	250	3050	3000
CGVT 40 105	400	350	1050	1000	CGVT 40 205	400	350	2050	2000	CGVT 40 305	400	350	3050	3000
CGVT 50 105	500	450	1050	1000	CGVT 50 205	500	450	2050	2000	CGVT 50 305	500	450	3050	3000

Dimensions in mm

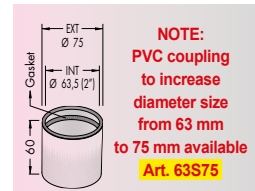
Available with square body gully and customized dimensions  
See page 34 line 0920



Dwg. No. 0913

See page 34 line 0910

art. CGVT .....



NOTE: PVC coupling to increase diameter size from 63 mm to 75 mm available  
Art. 63S75

- N.B.**
- Available with direct outlet (no odor trap, no filter basket).
  - Custom made dimensions on request.
  - Other diameter sizes and heights on request.
  - On request 1/2" inlet socket to let water flush in and clean the drain (Art. - IL - see page 30).

Dimensions can be modified on request.

These technical drawings are property of INOXSYSTEM® and cannot be copied or reproduced without our prior written permission.