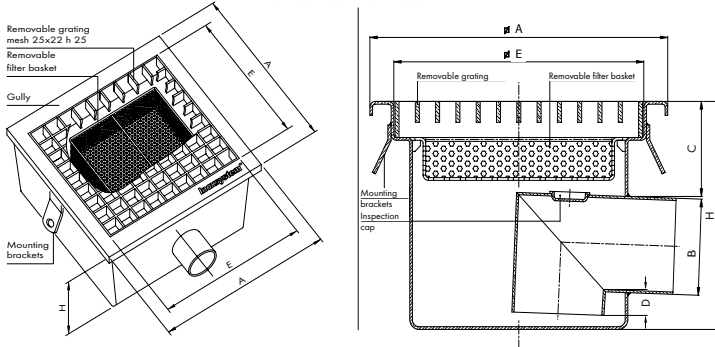


made of grade 304 stainless steel - grade 316 on request

Drainage systems - Standard gullies and channels with grating.

STAINLESS STEEL GULLIES WITH GRATING AND REMOVABLE FILTER BASKET
HORIZONTAL OUTLET WITH ODOR TRAP



ARTICLE	A	E	Ø B	C	D	H
PGO 200 50	200	150	50	35	15	110
PGO 300 50	300	250	50	35	15	110
PGO 400 50	400	350	50	35	15	110
PGO 500 50	500	450	50	35	15	110

Dimensions in mm

ARTICLE	A	E	Ø B	C	D	H
PGO 200 63	200	150	63	50	20	150
PGO 300 63	300	250	63	50	20	150
PGO 400 63	400	350	63	50	20	150
PGO 500 63	500	450	63	50	20	150

Dimensions in mm

* Low profile version

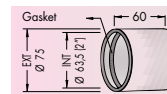
IDEAL FOR PROFESSIONAL KITCHENS
AND FOOD PROCESSING FACILITIES



Dwg. No. 0412

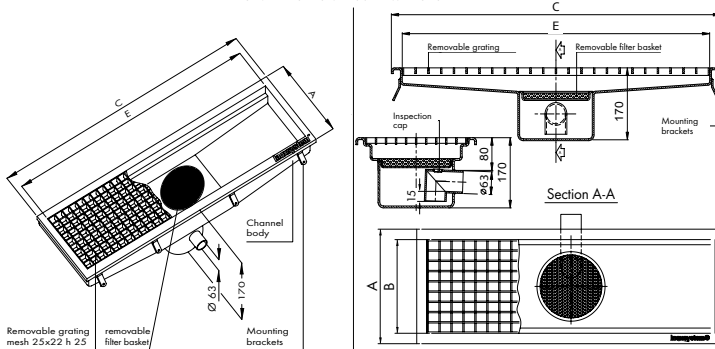
art. PGO

See
page 11
for similar
products



NOTE:
PVC coupling to increase diameter
size from 63 mm to 75 mm available
Art. 63S75

STAINLESS STEEL CHANNELS WITH GRATING AND REMOVABLE FILTER BASKET
CENTRAL HORIZONTAL OUTLET WITH ODOR TRAP



ARTICLE	A	B	C	E
CGO 20 105	200	150	1050	1000
CGO 30 105	300	250	1050	1000
CGO 40 105	400	350	1050	1000
CGO 50 105	500	450	1050	1000

Dimensions in mm

ARTICLE	A	B	C	E
CGO 20 205	200	150	2050	2000
CGO 30 205	300	250	2050	2000
CGO 40 205	400	350	2050	2000
CGO 50 205	500	450	2050	2000

Dimensions in mm

ARTICLE	A	B	C	E
CGO 20 305	200	150	3050	3000
CGO 30 305	300	250	3050	3000
CGO 40 305	400	350	3050	3000
CGO 50 305	500	450	3050	3000

Dimensions in mm

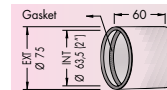
Available with square body gully
and customized dimensions
See page 34 line 0920



Dwg. No. 0914

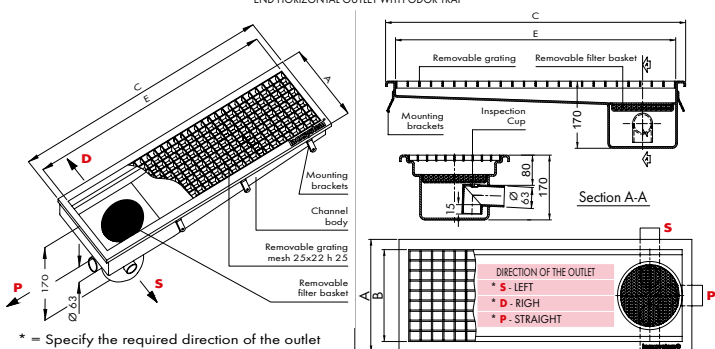
art. CGO

See
page 34
line 0910



NOTE:
PVC coupling to increase diameter
size from 63 mm to 75 mm available
Art. 63S75

STAINLESS STEEL CHANNELS WITH GRATING AND REMOVABLE FILTER BASKET
END HORIZONTAL OUTLET WITH ODOR TRAP



* = Specify the required direction of the outlet
(ex. CGOT 30 105 P)

ARTICLE	A	B	C	E
CGOT 20 105	200	150	1050	1000
CGOT 30 105	300	250	1050	1000
CGOT 40 105	400	350	1050	1000
CGOT 50 105	500	450	1050	1000

Dimensions in mm

ARTICLE	A	B	C	E
CGOT 20 205	200	150	2050	2000
CGOT 30 205	300	250	2050	2000
CGOT 40 205	400	350	2050	2000
CGOT 50 205	500	450	2050	2000

Dimensions in mm

ARTICLE	A	B	C	E
CGOT 20 305	200	150	3050	3000
CGOT 30 305	300	250	3050	3000
CGOT 40 305	400	350	3050	3000
CGOT 50 305	500	450	3050	3000

Dimensions in mm

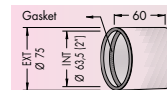
Available with square body gully
and customized dimensions
See page 34 line 0920



Dwg. No. 0915

art. CGOT

See
page 34
line 0910



NOTE:
PVC coupling to increase diameter
size from 63 mm to 75 mm available
Art. 63S75

N.B.

- Available with direct outlet (no odor trap, no filter basket).
- Custom made dimensions on request.
- Other diameter sizes and heights on request.
- On request 1/2" inlet socket to let water flush in and clean the drain (art. -IL see page 30).

Dimensions can be modified on request.

These technical drawings are property of INOXSYSTEM® and cannot be copied or reproduced without our prior written permission.