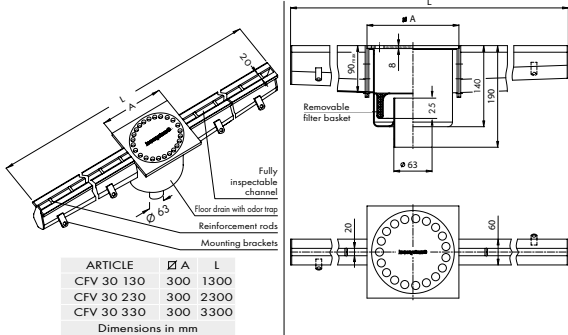


made of stainless steel, sheet thickness 2 mm, provided with floor drain with 8 mm thick square top plate, odor trap and filter basket - AISI 304 - AISI 316 on request

Drainage systems - Slot channels with standard slot.

IDEAL FOR PROFESSIONAL KITCHENS AND FOOD PROCESSING FACILITIES

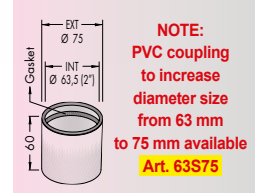
STAINLESS STEEL SLOT CHANNELS WITH ODOR TRAP AND REMOVABLE FILTER BASKET
CENTRAL VERTICAL OUTLET



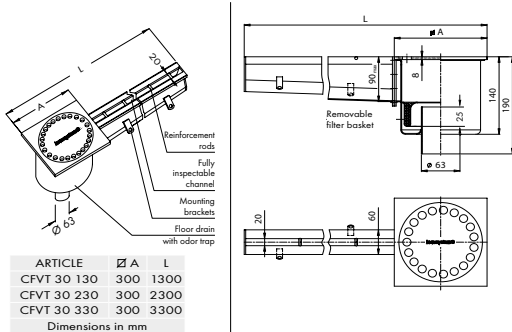
Dwg. No. 1053

See page 32 line 1050

art. CFV



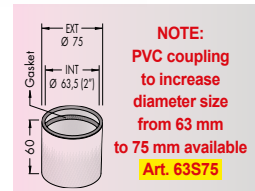
STAINLESS STEEL SLOT CHANNELS WITH ODOR TRAP AND REMOVABLE FILTER BASKET
END VERTICAL OUTLET



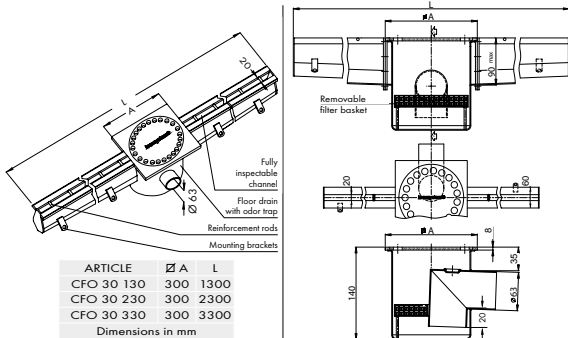
Dwg. No. 1054

See page 32 line 1050

art. CFVT



STAINLESS STEEL SLOT CHANNELS WITH ODOR TRAP AND REMOVABLE FILTER BASKET
CENTRAL HORIZONTAL OUTLET



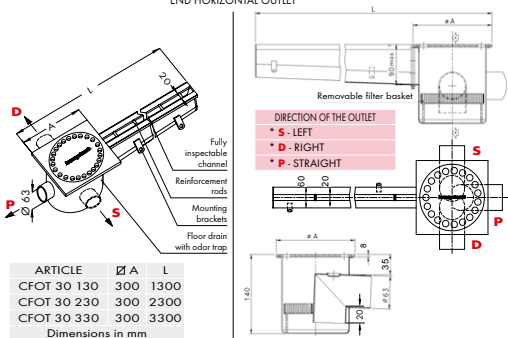
Dwg. No. 1051

See page 32 line 1050

art. CFO



STAINLESS STEEL SLOT CHANNELS WITH ODOR TRAP AND REMOVABLE FILTER BASKET
END HORIZONTAL OUTLET



Dwg. No. 1052

See page 32 line 1050

art. CFOT

Direction of the outlet in the picture: "P" (Straight)



Specify the required direction of the outlet (ex. CFOT 30 130 P)

N.B.

- On request these lines should be provided with the floor drains described at page 14 and 15.
- Available with direct outlet (no odor trap, no filter basket).
- Custom made dimensions on request.
- Other diameter sizes and heights on request.
- On request 1/2" inlet socket to let water flush in and clean the drain (art. 4L see page 30).

Dimensions can be modified on request.

These technical drawings are property of INOXSYSTEM® and cannot be copied or reproduced without our prior written permission.