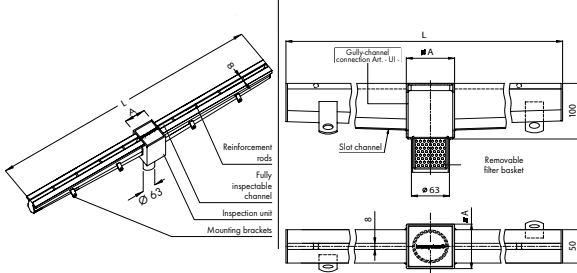


made of stainless steel, sheet thickness 1,5 mm, provided with access unit with direct outlet and filter basket - AISI 304 - AISI 316 on request

### Drainage systems - Slot channels with heelsafe slot.

IDEAL FOR SWIMMING POOLS, SHOWERS AND TERRACES

STAINLESS STEEL CHANNELS WITH HEELSAFE SLOT AND INSPECTION UNIT WITH CENTRAL VERTICAL DIRECT OUTLET AND REMOVABLE FILTER BASKET



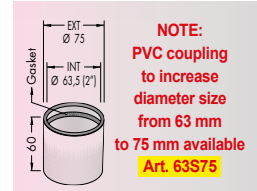
ARTICLE	Ø A	L
CRV 8108	80	1080
CRV 8208	80	2080
CRV 8308	80	3080

Dimensions in mm

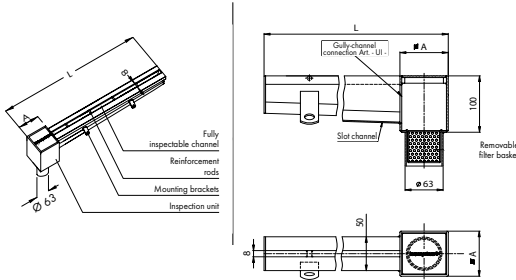
Dwg. No. 1153

See  
page 33  
line 1150

art. CRV .....



STAINLESS STEEL CHANNELS WITH HEELSAFE SLOT AND INSPECTION UNIT WITH END VERTICAL DIRECT OUTLET AND REMOVABLE FILTER BASKET



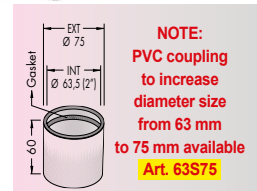
ARTICLE	Ø A	L
CRVT 8108	80	1080
CRVT 8208	80	2080
CRVT 8308	80	3080

Dimensions in mm

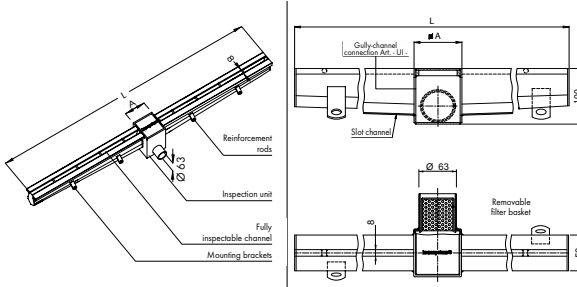
Dwg. No. 1154

See  
page 33  
line 1150

art. CRVT .....



STAINLESS STEEL CHANNELS WITH HEELSAFE SLOT AND INSPECTION UNIT WITH CENTRAL HORIZONTAL DIRECT OUTLET AND REMOVABLE FILTER BASKET



ARTICLE	Ø A	L
CRO 8108	80	1080
CRO 8208	80	2080
CRO 8308	80	3080

Dimensions in mm

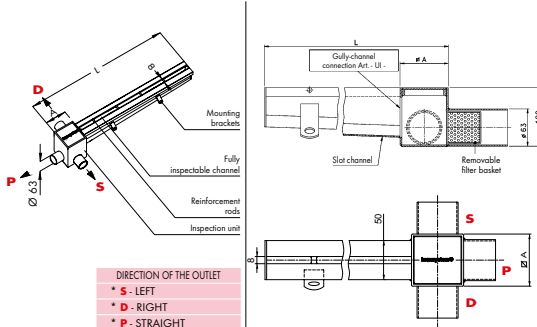
Dwg. No. 1151

See  
page 33  
line 1150

art. CRO .....



STAINLESS STEEL CHANNELS WITH HEELSAFE SLOT AND INSPECTION UNIT WITH END HORIZONTAL DIRECT OUTLET AND REMOVABLE FILTER BASKET



ARTICLE	Ø A	L
CROT 8108	80	1080
CROT 8208	80	2080
CROT 8308	80	3080

Dimensions in mm

Dwg. No. 1152

See  
page 33  
line 1150

Specify the required direction of the outlet (ex. CROT 8 108 P)

art. CROT .....



#### THIS LINE IS AVAILABLE WITH ODOR TRAP ON REQUEST

200X200 mm floor drain with odor trap and removable filter basket, overall height 140 mm  
Suitable for slot channels with heelsafe slot

#### Direction of the outlet in the picture: "D" (Right)



See also page 33 line 1250

- N.B.**
- On request, the manhole covers described on pages 14 and 15 can be applied.
  - Available with direct outlet (no odor trap, no filter basket).
  - Custom made dimensions on request.
  - Other diameter sizes and heights on request.
  - On request 1/2" inlet socket to let water flush in and clean the drain (art. -IL see page 30).

Dimensions can be modified on request.

These technical drawings are property of INOXSYSTEM® and cannot be copied or reproduced without our prior written permission.