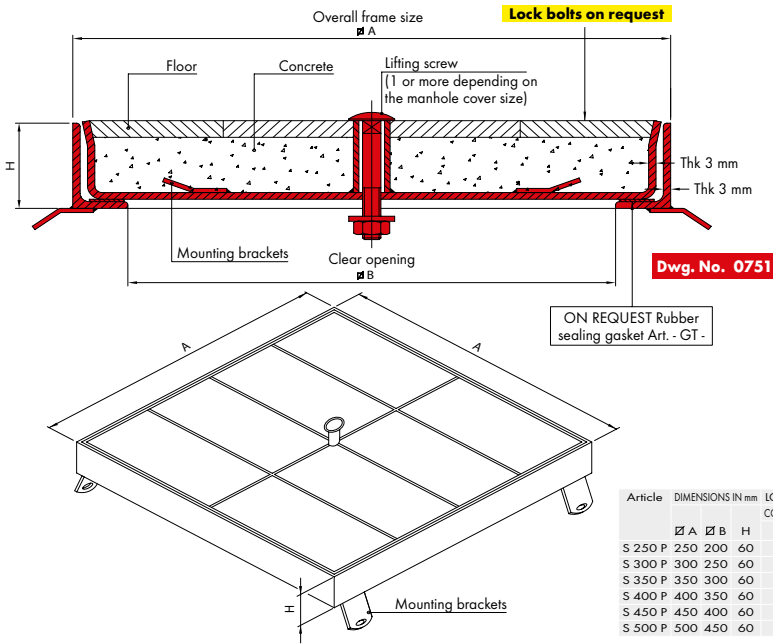


made of grade 304 stainless steel - grade 316 on request

### Recessed manhole cover with frame

**heavy duty line**, sheet thickness 3 mm.

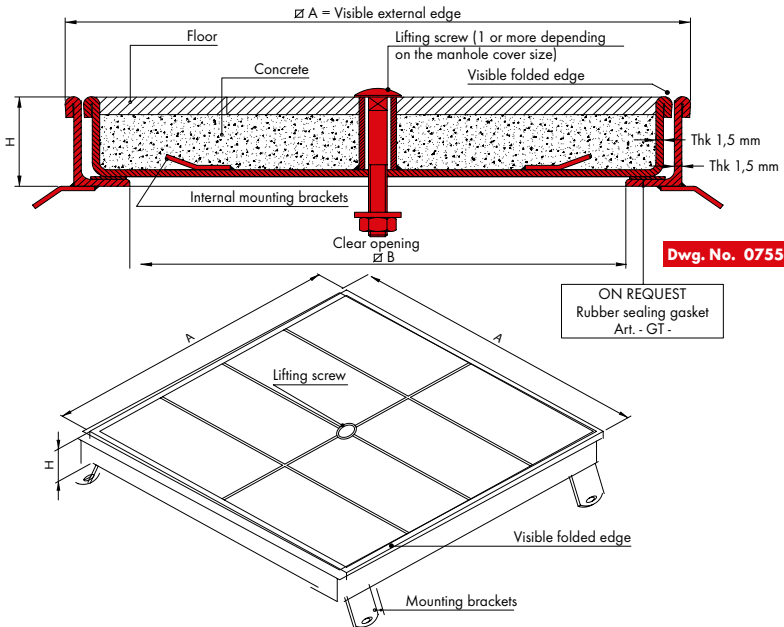


\* = These values depend on the type of concrete. It is possible to install electro-welded galvanized wire mesh (not provided) to reinforce concrete. N.B. - All dimensions can be modified on request.

Article	DIMENSIONS IN mm			LOAD CAPACITY IN Kg* CONCENTRATED	LOAD CAPACITY IN Kg* DISTRIBUTED	LOAD CLASS*	Article	DIMENSIONS IN mm			LOAD CAPACITY IN Kg* CONCENTRATED	LOAD CAPACITY IN Kg* DISTRIBUTED	LOAD CLASS*
	ø A	ø B	H					ø A	ø B	H			
S 250 P	250	200	60	1000	10000	C250	S 550 P	550	500	60	850	6500	B125
S 300 P	300	250	60	1000	10000	C250	S 600 P	600	550	60	850	6500	B125
S 350 P	350	300	60	1000	10000	C250	S 650 P	650	600	60	850	6500	B125
S 400 P	400	350	60	1000	10000	C250	S 700 P	700	650	60	850	6500	B125
S 450 P	450	400	60	1000	10000	C250	S 750 P	750	700	60	850	6500	B125
S 500 P	500	450	60	1000	10000	C250	S 800 P	800	750	60	850	6500	B125

### Recessed manhole cover with frame

**medium duty line**, sheet thickness 1,5 mm.



\* = These values depend on the type of concrete. It is possible to install electro-welded galvanized wire mesh (not provided) to reinforce concrete. N.B. - All dimensions can be modified on request.

Article	DIMENSIONS IN mm			LOAD CLASS*	Article	DIMENSIONS IN mm			LOAD CLASS*
	ø A	ø B	H			ø A	ø B	H	
S 250 IP	250	200	60	B125	S 550 IP	550	500	60	A15
S 300 IP	300	250	60	B125	S 600 IP	600	550	60	A15
S 350 IP	350	300	60	B125	S 650 IP	650	600	60	A15
S 400 IP	400	350	60	B125	S 700 IP	700	650	60	A15
S 450 IP	450	400	60	B125	S 750 IP	750	700	60	A15
S 500 IP	500	450	60	B125	S 800 IP	800	750	60	A15

### Pressed steel recessed manhole cover with frame

**light duty line** for pedestrian areas.

### 2 mm thick grating with frame.

Dwg. No. 0753



Article	DIMENSIONS IN mm	LOAD CLASS
SL 230 P	230 x 230 x h50	A15
SL 330 P	330 x 330 x h50	A15
SL 430 P	430 x 430 x h50	A15
SL 530 P	530 x 530 x h50	A15

Clear opening = overall dimensions - 40 mm

Dwg. No. 0754

Article	DIMENSIONS IN mm	LOAD CLASS
SG 160	156 x 156 x h28	*
SG 210	206 x 206 x h28	*
SG 260	256 x 256 x h28	*
SG 310	306 x 306 x h28	*
SG 360	356 x 356 x h28	*
SG 410	406 x 406 x h28	*
SG 460	456 x 456 x h28	*
SG 510	506 x 506 x h28	*

Clear opening = overall dimensions - 35 mm



\* = The load class depends on the type of grating. See page 16 and 35 for other types of gratings.

Dimensions can be modified on request.

These technical drawings are property of INOXSYSTEM® and cannot be copied or reproduced without our prior written permission.