

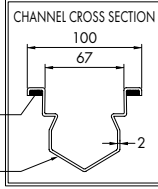
### Line 4050

- Inoxsystem® Total Hygienic channel
- Satin finished top edge
- Antibacterial and antislip grating, mesh 13x80 mm h 20 mm
- Gully with 300x300 mm top plate 8 mm thick, outlet Ø 110 mm

- With removable Inoxsystem® Total Hygienic internal odor trap pipe
- Removable rat proof filter basket
- See page 49 for other types of channels

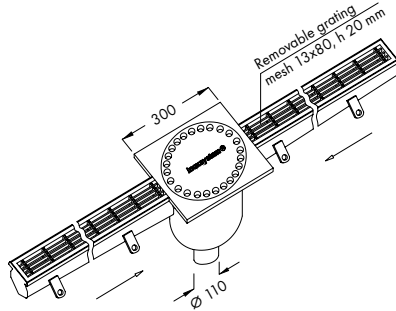
On request: reinforced edges Art. "BCR"

Built in slope



Provided with removable odor trap pipe & filter basket kit  
**Code KE**

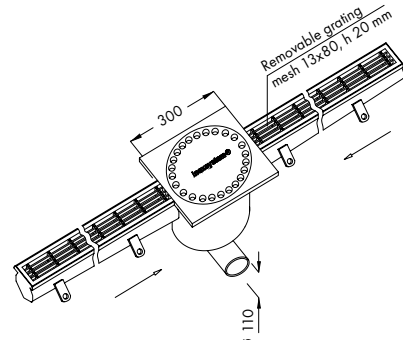
#### CENTRAL VERTICAL OUTLET



art. CGVCPE

**Dwg. No. 4053**

#### CENTRAL HORIZONTAL OUTLET

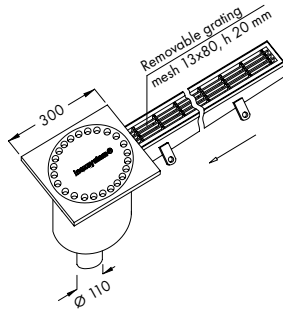


art. CGOOCPE

**Dwg. No. 4051**

FOR THE HEIGHT OF THE MANHOLES SEE TABLES ON PAGE 52

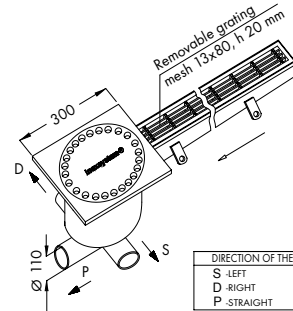
#### END VERTICAL OUTLET



art. CGVTCPE

**Dwg. No. 4054**

#### END HORIZONTAL OUTLET



art. CGOTCPE

**Dwg. No. 4052**

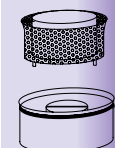
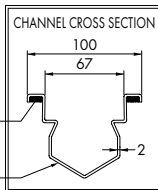
### Line 4060

- Inoxsystem® Total Hygienic channel
- Satin finished top edge
- Antibacterial and antislip grating, mesh 13x80 mm h 20 mm
- Gully with 300x300 mm top plate 8 mm thick, outlet Ø 110 mm

- With removable Inoxsystem® Total Hygienic cup shaped odor trap
- Removable rat proof filter basket
- See page 49 for other types of channels

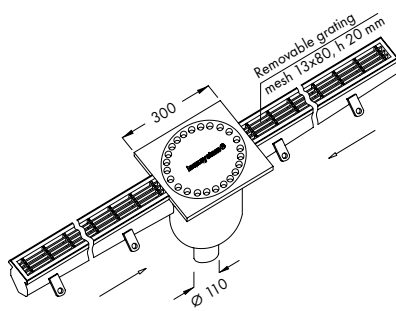
On request: reinforced edges Art. "BCR"

Built in slope



Provided with removable cup shaped odor trap & filter basket kit  
**Code KTH**

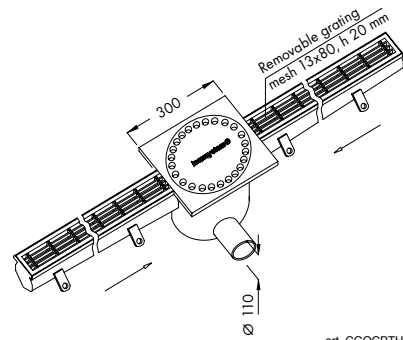
#### CENTRAL VERTICAL OUTLET



art. CGVCPH

**Dwg. No. 4063**

#### CENTRAL HORIZONTAL OUTLET

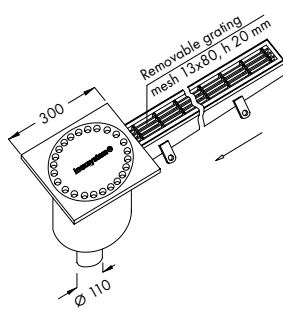


art. CGOCPH

**Dwg. No. 4061**

FOR THE HEIGHT OF THE MANHOLES SEE TABLES ON PAGE 53

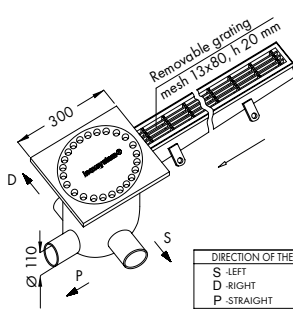
#### END VERTICAL OUTLET



art. CGVTCPH

**Dwg. No. 4064**

#### END HORIZONTAL OUTLET



art. CGOTCPH

**Dwg. No. 4062**

