

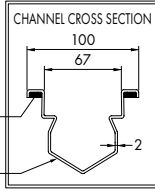
### Line 4070

- Inoxsystem® Total Hygienic channel
- Satin finished top edge
- Antibacterial and antislip grating, mesh 13x80 mm h 20 mm
- 300x300 mm gully with grating, outlet  $\varnothing$  110 mm

- With removable Inoxsystem® Total Hygienic internal odor trap pipe
- Removable rat proof filter basket
- See page 49 for other types of channels

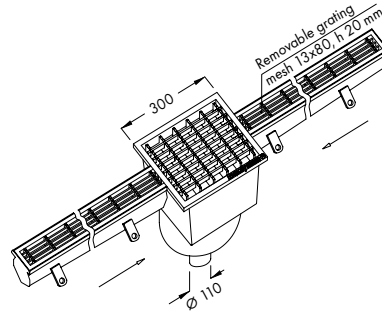
On request: reinforced edges Art. "BCR"

Built in slope



Provided with removable odor trap pipe & filter basket kit  
**Code KE**

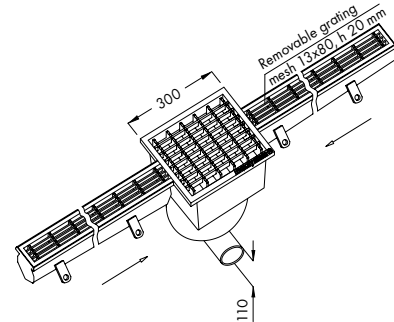
#### CENTRAL VERTICAL OUTLET



art. CGVCGE

**Dwg. No. 4073**

#### CENTRAL HORIZONTAL OUTLET

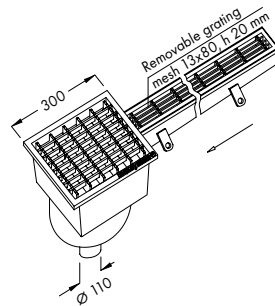


art. CGOCGE

**Dwg. No. 4071**

FOR THE HEIGHT OF THE MANHOLES SEE TABLES ON PAGE 54

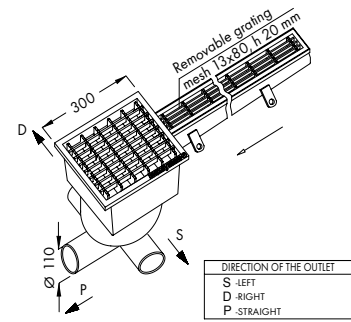
#### END VERTICAL OUTLET



art. CGVTCGE

**Dwg. No. 4074**

#### END HORIZONTAL OUTLET



art. CGOTCGE

**Dwg. No. 4072**

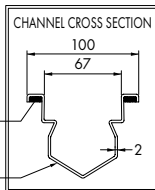
### Line 4080

- Inoxsystem® Total Hygienic channel
- Satin finished top edge
- Antibacterial and antislip grating, mesh 13x80 mm h 20 mm
- 300x300 mm gully with grating, outlet  $\varnothing$  110 mm

- With removable Inoxsystem® Total Hygienic cup shaped odor trap pipe
- Removable rat proof filter basket
- See page 49 for other types of channels

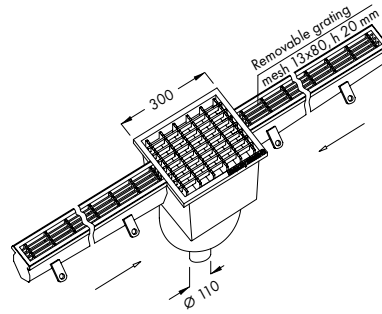
On request: reinforced edges Art. "BCR"

Built in slope



Provided with removable cup shaped odor trap & filter basket kit  
**Code KTH**

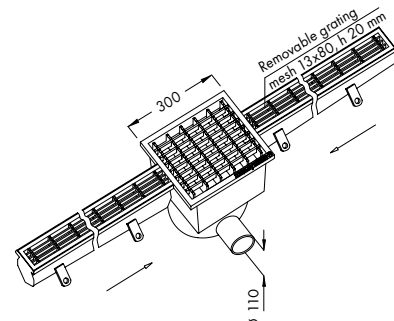
#### CENTRAL VERTICAL OUTLET



art. CGVCGTH

**Dwg. No. 4083**

#### CENTRAL HORIZONTAL OUTLET

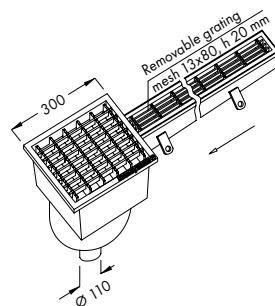


art. CGOCGTH

**Dwg. No. 4081**

FOR THE HEIGHT OF THE MANHOLES SEE TABLES ON PAGE 55

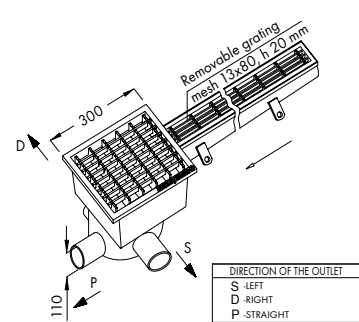
#### END VERTICAL OUTLET



art. CGVTCGTH

**Dwg. No. 4084**

#### END HORIZONTAL OUTLET



art. CGOTCGTH

**Dwg. No. 4082**

