

Slot channel with straight horizontal edges - direct outlet without inspection
All made in stainless steel Aisi 304 (Aisi 316 Upon request)

Inoxsystem®

www.inoxsystem.it - info@inoxsystem.it

"HIDDEN" SLOT CHANNEL WITH STRAIGHT HORIZONTAL EDGES
20 mm SLOT WITH DIRECT OUTLET Ø 63 mm
WITHOUT ODOR TRAP AND FILTER BASKET
Vertical outlet in the center

Made of Art.:

- "Hidden slot channel" Art. "C2BDL"
- Vertical direct outlet Art. "SDV"
- Further channel welding Art. "SF"
- Welded end cap Art. "TC"

Upon request:

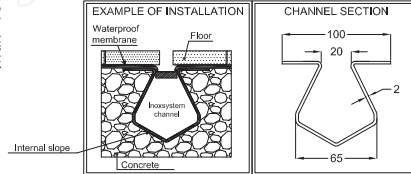
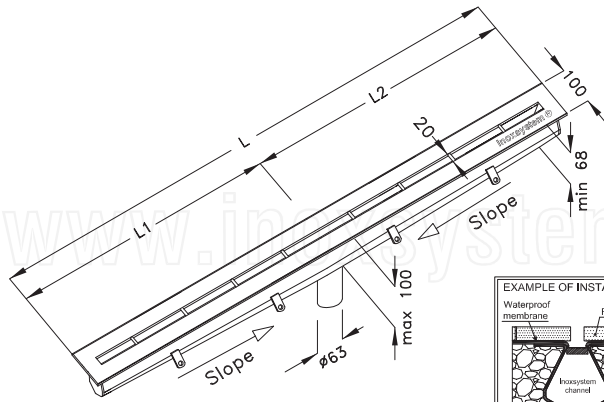
- Flange connection Art. "FLC"

* all measures can be modified upon request

Dwg Inoxsystem®
0453

Art. CFVDBR

N.B.: all measures are in mm



All made in stainless steel 2 mm thickness
Aisi 304/304L(EN 1.4301/1.4307) - Upon request Aisi 316/316L(EN 1.4401/1.4404)

Inoxsystem®

www.inoxsystem.it - info@inoxsystem.it

"HIDDEN" SLOT CHANNEL WITH STRAIGHT HORIZONTAL EDGES
20 mm SLOT WITH DIRECT OUTLET Ø 63 mm
WITHOUT ODOR TRAP AND FILTER BASKET
Vertical outlet on the head

Made of Art.:

- "Hidden slot channel" Art. "C2BDL"
- Vertical direct outlet Art. "SDV"
- Welded end cap Art. "TC"

Upon request:

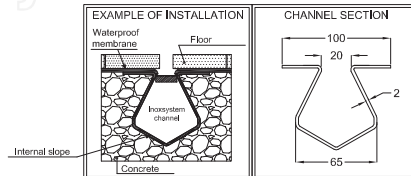
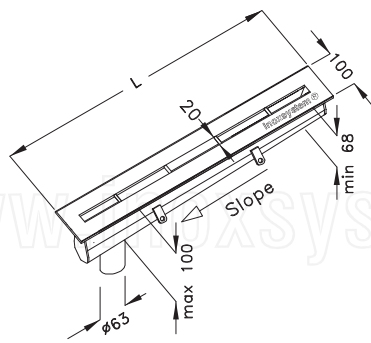
- Flange connection Art. "FLC"

* all measures can be modified upon request

Dwg Inoxsystem®
0454

Art. CFVTDBR

N.B.: all measures are in mm



All made in stainless steel 2 mm thickness
Aisi 304/304L(EN 1.4301/1.4307) - Upon request Aisi 316/316L(EN 1.4401/1.4404)

Inoxsystem®

www.inoxsystem.it - info@inoxsystem.it

"HIDDEN" SLOT CHANNEL WITH STRAIGHT HORIZONTAL EDGES
20 mm SLOT WITH DIRECT OUTLET Ø 63 mm
WITHOUT ODOR TRAP AND FILTER BASKET
Horizontal outlet in the center

Made of Art.:

- "Hidden slot channel" Art. "C2BDL"
- Horizontal direct outlet Art. "SDL" *
- Further channel welding Art. "SF"
- Welded end cap Art. "TC"

Upon request:

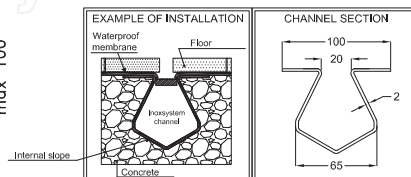
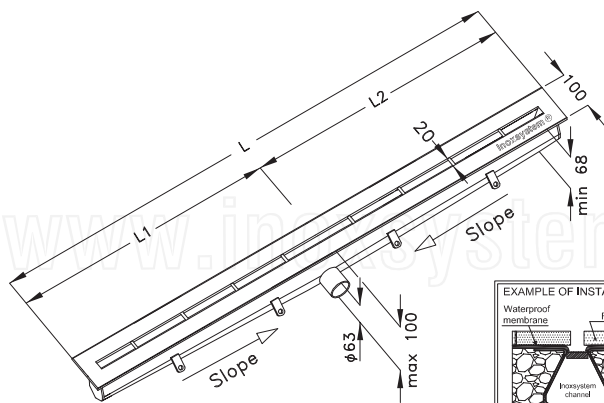
- Flange connection Art. "FLC"

* all measures can be modified upon request

Dwg Inoxsystem®
0451

Art. CFODBR

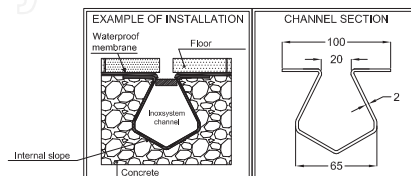
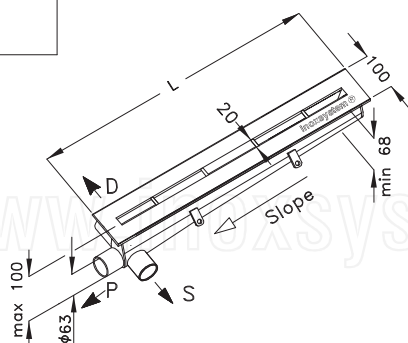
N.B.: all measures are in mm



All made in stainless steel 2 mm thickness
Aisi 304/304L(EN 1.4301/1.4307) - Upon request Aisi 316/316L(EN 1.4401/1.4404)

OUTLET PIPE ORIENTATION

- S - LEFT
- D - RIGHT
- P - STRAIGHT



All made in stainless steel 2 mm thickness
Aisi 304/304L(EN 1.4301/1.4307) - Upon request Aisi 316/316L(EN 1.4401/1.4404)

Inoxsystem®

www.Inoxsystem.It - Info@Inoxsystem.It

"HIDDEN" SLOT CHANNEL WITH STRAIGHT HORIZONTAL EDGES
20 mm SLOT WITH DIRECT OUTLET Ø 63 mm
WITHOUT ODOR TRAP AND FILTER BASKET
Horizontal outlet on the head

Made of Art.:

- "Hidden slot channel" Art. "C2BDL"
- Horizontal direct outlet Art. "SDL" *
- Welded end cap Art. "TC"

Upon request:

- Flange connection Art. "FLC"

* all measures can be modified upon request

Dwg Inoxsystem®
0452

Art. CFOTDBR

N.B.: all measures are in mm