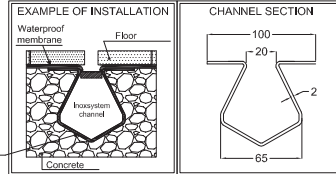
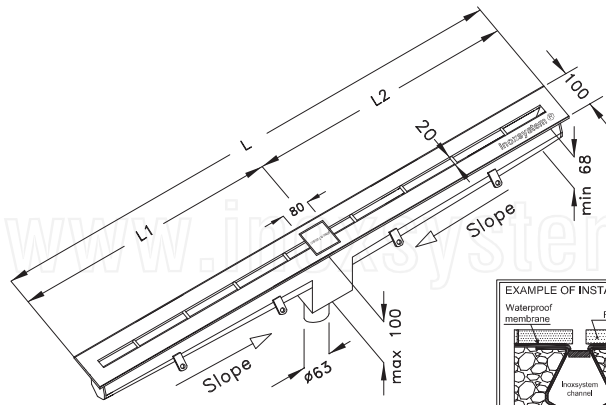


**Slot channel with straight horizontal edges - direct outlet with inspection**  
All made in stainless steel Aisi 304 (Aisi 316 Upon request)

**Inoxsystem®**

www.inoxsystem.it - info@inoxsystem.it  
"HIDDEN" SLOT CHANNEL WITH STRAIGHT HORIZONTAL EDGES  
20 mm SLOT WITH 80x80 mm FLOOR DRAIN  
DIRECT OUTLET Ø 63 mm WITHOUT ODOR TRAP  
Vertical outlet in the center



**Made of Art.:**

- "Hidden slot channel" Art. "C2BDL"
- Floor drain with filter Art. "CCV80PG"
- Further channel welding Art. "SF"
- Welded end cap Art. "TC"

**Upon request:**

- Flange connection Art. "FLC"

\* all measures can be modified upon request

Dwg Inoxsystem®  
0463

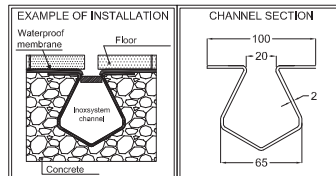
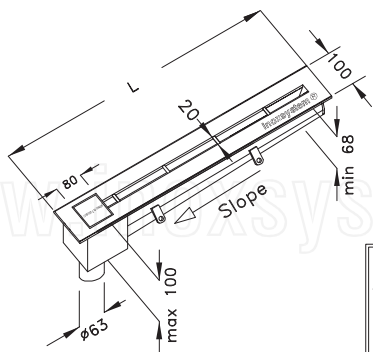
Art. CFVDBRI

N.B.: all measures are in mm

All made in stainless steel 2 mm thickness  
Aisi 304/304L(EN 1.4301/1.4307) - Upon request Aisi 316/316L(EN 1.4401/1.4404)

**Inoxsystem®**

www.inoxsystem.it - info@inoxsystem.it  
"HIDDEN" SLOT CHANNEL WITH STRAIGHT HORIZONTAL EDGES  
20 mm SLOT WITH 80x80 mm FLOOR DRAIN  
DIRECT OUTLET Ø 63 mm WITHOUT ODOR TRAP  
Vertical outlet on the head



**Made of Art.:**

- "Hidden slot channel" Art. "C2BDL"
- Floor drain with filter Art. "CCV80PG"
- Welded end cap Art. "TC"

**Upon request:**

- Flange connection Art. "FLC"

\* all measures can be modified upon request

Dwg Inoxsystem®  
0464

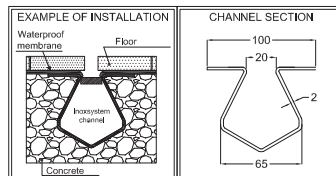
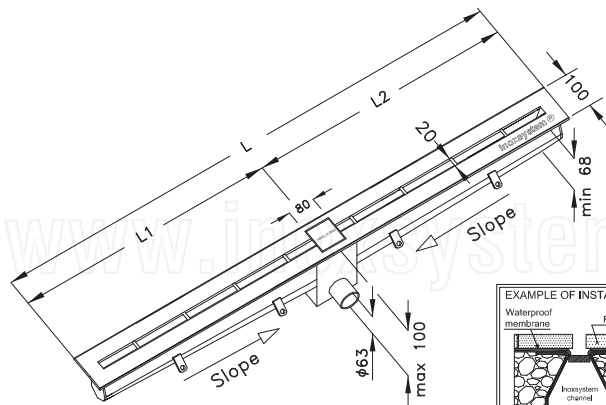
Art. CFVTDBRI

N.B.: all measures are in mm

All made in stainless steel 2 mm thickness  
Aisi 304/304L(EN 1.4301/1.4307) - Upon request Aisi 316/316L(EN 1.4401/1.4404)

**Inoxsystem®**

www.inoxsystem.it - info@inoxsystem.it  
"HIDDEN" SLOT CHANNEL WITH STRAIGHT HORIZONTAL EDGES  
20 mm SLOT WITH 80x80 mm FLOOR DRAIN  
DIRECT OUTLET Ø 63 mm WITHOUT ODOR TRAP  
Horizontal outlet in the center



**Made of Art.:**

- "Hidden slot channel" Art. "C2BDL"
- Floor drain with filter Art. "CCL80PG"
- Further channel welding Art. "SF"
- Welded end cap Art. "TC"

**Upon request:**

- Flange connection Art. "FLC"

\* all measures can be modified upon request

Dwg Inoxsystem®  
0461

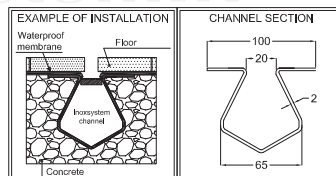
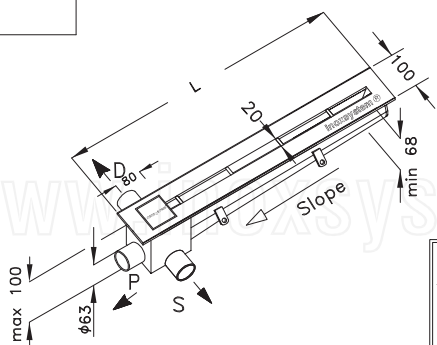
Art. CFODBRI

N.B.: all measures are in mm

All made in stainless steel 2 mm thickness  
Aisi 304/304L(EN 1.4301/1.4307) - Upon request Aisi 316/316L(EN 1.4401/1.4404)

**OUTLET PIPE ORIENTATION**

- S - LEFT
- D - RIGHT
- P - STRAIGHT



**Inoxsystem®**

www.inoxsystem.it - info@inoxsystem.it  
"HIDDEN" SLOT CHANNEL WITH STRAIGHT HORIZONTAL EDGES  
20 mm SLOT WITH 80x80 mm FLOOR DRAIN  
DIRECT OUTLET Ø 63 mm WITHOUT ODOR TRAP  
Horizontal outlet on the head

**Made of Art.:**

- "Hidden slot channel" Art. "C2BDL"
- Floor drain with filter Art. "CCL80PG"
- Welded end cap Art. "TC"

**Upon request:**

- Flange connection Art. "FLC"

\* all measures can be modified upon request

Dwg Inoxsystem®  
0462

Art. CFOTDBRI

N.B.: all measures are in mm

All made in stainless steel 2 mm thickness  
Aisi 304/304L(EN 1.4301/1.4307) - Upon request Aisi 316/316L(EN 1.4401/1.4404)