

Line
1050

www.inoxsystem.it

**Slot channel with low profile floor drain with top plate 300x300mm
outlet Ø 63 with odor trap and filter basket
All made in stainless steel Aisi 304 (Aisi 316 Upon request)**

Inoxsystem®

www.inoxsystem.it - info@inoxsystem.it

**SLOT CHANNEL WITH 20 mm STANDARD SLOT
WITH LOW PROFILE FLOOR DRAIN TOP SIZE mm 300x300x8
OUTLET Ø 63 mm WITH ODOR TRAP AND FILTER BASKET
Vertical outlet in the center**

Made of Art.:

- Slot channel Art. "C2"
- Floor drain with odor trap and filter basket Art."RCV63CE308"*
- Further connection channel in the floor drain Art. "UI"

Upon request:

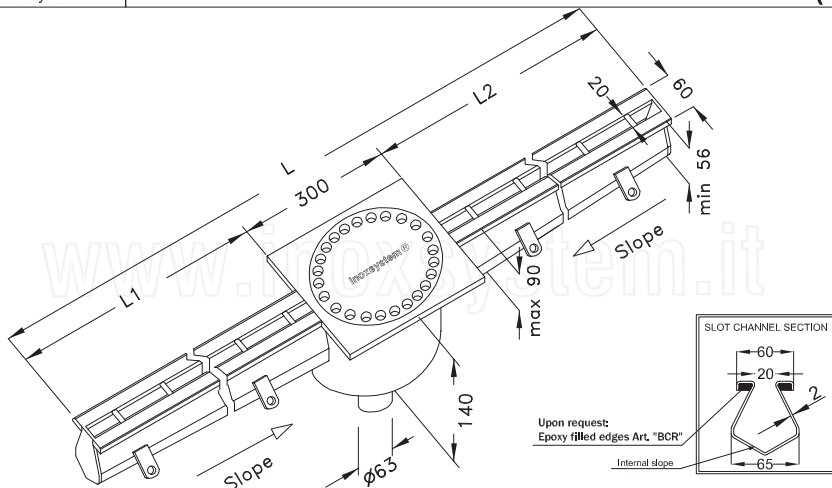
- Epoxy filled edges Art. "BCR"
- Flange connection Art. "FLC"

* all measures can be modified upon request

Dwg Inoxsystem®
1053

Art. CFV

N.B.: all measures are in mm



All made in stainless steel 2 mm thickness
AISI 304/304L(EN 1.4301/1.4307) - Upon request AISI 316/316L(EN 1.4401/1.4404)

Inoxsystem®

www.inoxsystem.it - info@inoxsystem.it

**SLOT CHANNEL WITH 20 mm STANDARD SLOT
WITH LOW PROFILE FLOOR DRAIN TOP SIZE mm 300x300x8
OUTLET Ø 63 mm WITH ODOR TRAP AND FILTER BASKET
Vertical outlet on the head**

Made of Art.:

- Slot channel Art. "C2"
- Floor drain with odor trap and filter basket Art."RCV63CE308"*

Upon request:

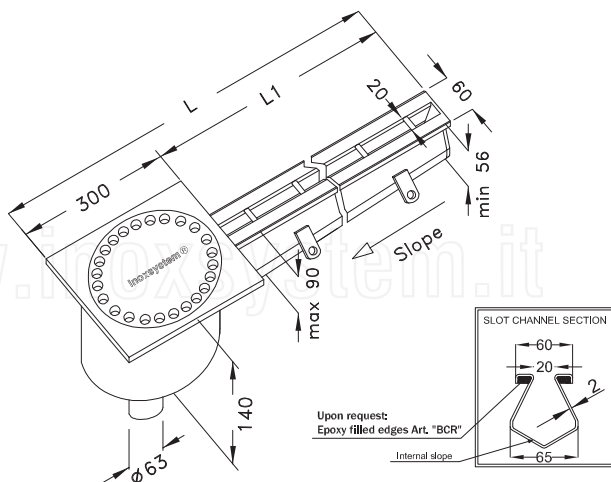
- Epoxy filled edges Art. "BCR"
- Flange connection Art. "FLC"

* all measures can be modified upon request

Dwg Inoxsystem®
1054

Art. CFVT

N.B.: all measures are in mm



All made in stainless steel 2 mm thickness
AISI 304/304L(EN 1.4301/1.4307) - Upon request AISI 316/316L(EN 1.4401/1.4404)

Inoxsystem®

www.inoxsystem.it - info@inoxsystem.it

**SLOT CHANNEL WITH 20 mm STANDARD SLOT
WITH LOW PROFILE FLOOR DRAIN TOP SIZE mm 300x300x8
OUTLET Ø 63 mm WITH ODOR TRAP AND FILTER BASKET
Horizontal outlet in the center**

Made of Art.:

- Slot channel Art. "C2"
- Floor drain with odor trap and filter basket Art."CLR63308"*
- Further connection channel in the floor drain Art. "UI"

Upon request:

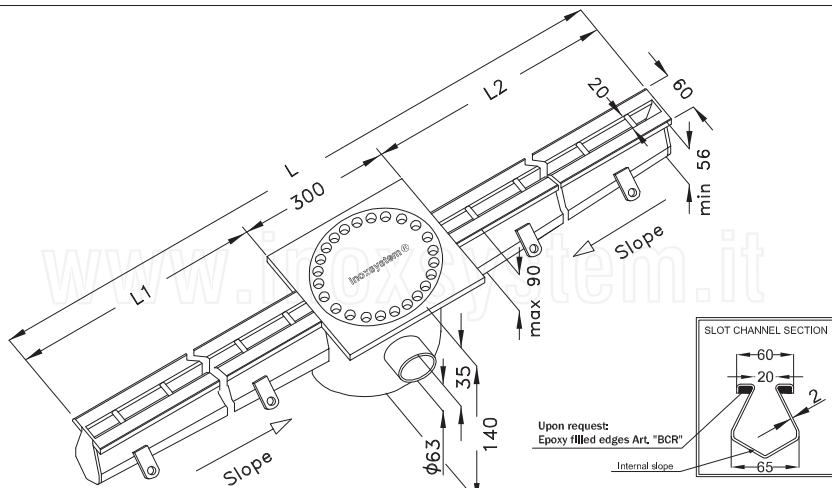
- Epoxy filled edges Art. "BCR"
- Flange connection Art. "FLC"

* all measures can be modified upon request

Dwg Inoxsystem®
1051

Art. CFO

N.B.: all measures are in mm



All made in stainless steel 2 mm thickness
AISI 304/304L(EN 1.4301/1.4307) - Upon request AISI 316/316L(EN 1.4401/1.4404)

Inoxsystem®

www.inoxsystem.it - info@inoxsystem.it

**SLOT CHANNEL WITH 20 mm STANDARD SLOT
WITH LOW PROFILE FLOOR DRAIN TOP SIZE mm 300x300x8
OUTLET Ø 63 mm WITH ODOR TRAP AND FILTER BASKET
Horizontal outlet on the head**

Made of Art.:

- Slot channel Art. "C2"
- Floor drain with odor trap and filter basket Art."CLR63308"*

Upon request:

- Epoxy filled edges Art. "BCR"
- Flange connection Art. "FLC"

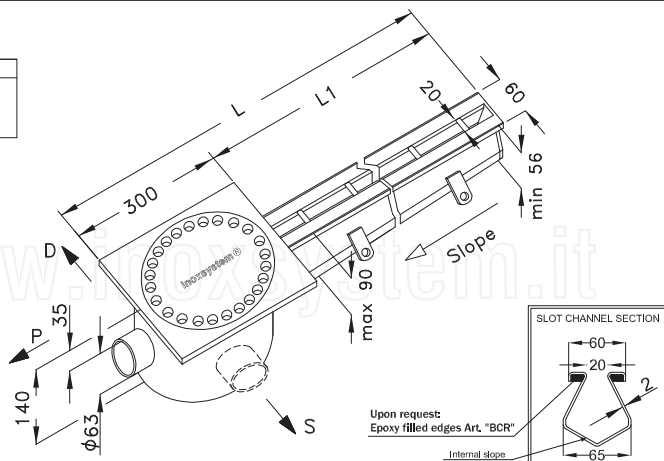
* all measures can be modified upon request

Dwg Inoxsystem®
1052

Art. CFOT

N.B.: all measures are in mm

OUTLET PIPE ORIENTATION	
S	-LEFT
D	-RIGHT
P	-STRAIGHT



All made in stainless steel 2 mm thickness
AISI 304/304L(EN 1.4301/1.4307) - Upon request AISI 316/316L(EN 1.4401/1.4404)