

Line  
1060

www.inoxsystem.it

**Slot channel with standard floor drain with top plate 300x300mm  
outlet Ø 110 with odor trap and filter basket  
All made in stainless steel Aisi 304 (Aisi 316 Upon request)**

**Inoxsystem®**

www.inoxsystem.it - info@inoxsystem.it

**SLOT CHANNEL WITH 20 mm STANDARD SLOT  
WITH STANDARD FLOOR DRAIN TOP SIZE mm 300x300x8  
OUTLET Ø 110 mm WITH ODOR TRAP AND FILTER BASKET  
Vertical outlet in the center**

**Made of Art.:**

- Slot channel Art. "C2"
- Floor drain with odor trap and filter basket Art. "CV110CE308"
- Further connection channel in the floor drain Art. "UI"

**Upon request:**

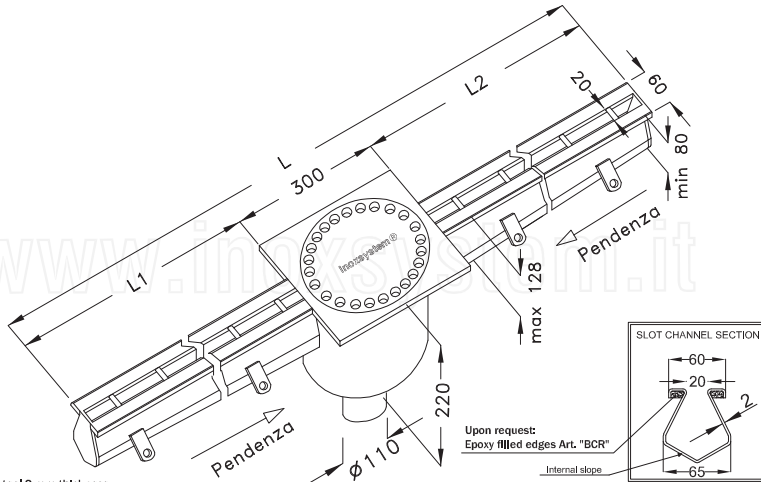
- Epoxy filled edges Art. "BCR"
- Flange connection Art. "FLC"

\* all measures can be modified upon request

Dwg Inoxsystem®  
1063

Art. CFVS

N.B.: all measures are in mm



All made in stainless steel 2 mm thickness  
Aisi 304/304L(EN 1.4301/1.4307) - Upon request Aisi 316/316L(EN 1.4401/1.4404)

**Inoxsystem®**

www.inoxsystem.it - info@inoxsystem.it

**SLOT CHANNEL WITH 20 mm STANDARD SLOT  
WITH STANDARD FLOOR DRAIN TOP SIZE mm 300x300x8  
OUTLET Ø 110 mm WITH ODOR TRAP AND FILTER BASKET  
Vertical outlet on the head**

**Made of Art.:**

- Slot channel Art. "C2"
- Floor drain with odor trap and filter basket Art. "CV110CE308"

**Upon request:**

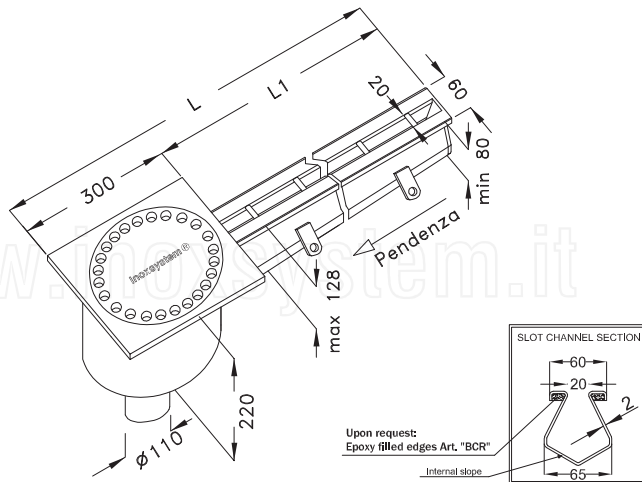
- Epoxy filled edges Art. "BCR"
- Flange connection Art. "FLC"

\* all measures can be modified upon request

Dwg Inoxsystem®  
1064

Art. CFVTS

N.B.: all measures are in mm



All made in stainless steel 2 mm thickness  
Aisi 304/304L(EN 1.4301/1.4307) - Upon request Aisi 316/316L(EN 1.4401/1.4404)

**Inoxsystem®**

www.inoxsystem.it - info@inoxsystem.it

**SLOT CHANNEL WITH 20 mm STANDARD SLOT  
WITH STANDARD FLOOR DRAIN TOP SIZE mm 300x300x8  
OUTLET Ø 110 mm WITH ODOR TRAP AND FILTER BASKET  
Horizontal outlet in the center**

**Made of Art.:**

- Slot channel Art. "C2"
- Floor drain with odor trap and filter basket Art. "CLR110308"
- Further connection channel in the floor drain Art. "UI"

**Upon request:**

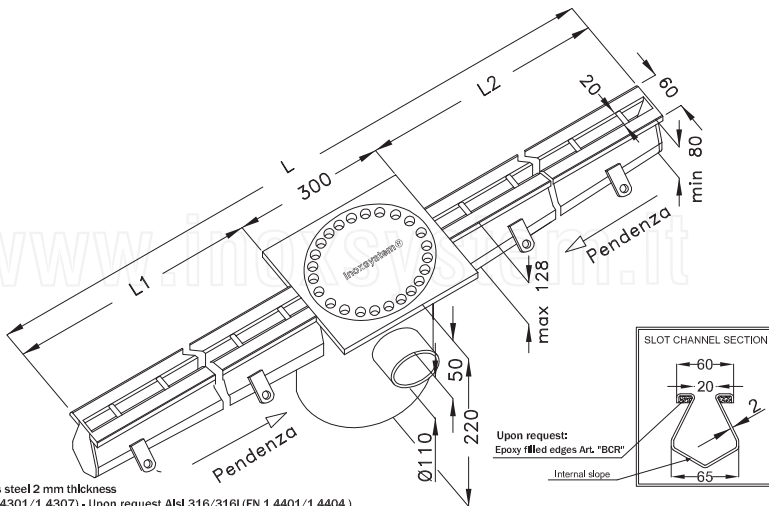
- Epoxy filled edges Art. "BCR"
- Flange connection Art. "FLC"

\* all measures can be modified upon request

Dwg Inoxsystem®  
1061

Art. CFOS

N.B.: all measures are in mm



All made in stainless steel 2 mm thickness  
Aisi 304/304L(EN 1.4301/1.4307) - Upon request Aisi 316/316L(EN 1.4401/1.4404)

**Inoxsystem®**

www.inoxsystem.it - info@inoxsystem.it

**SLOT CHANNEL WITH 20 mm STANDARD SLOT  
WITH STANDARD FLOOR DRAIN TOP SIZE mm 300x300x8  
OUTLET Ø 110 mm WITH ODOR TRAP AND FILTER BASKET  
Horizontal outlet on the head**

**Made of Art.:**

- Slot channel Art. "C2"
- Floor drain with odor trap and filter basket Art. "CLR110308"

**Upon request:**

- Epoxy filled edges Art. "BCR"
- Flange connection Art. "FLC"

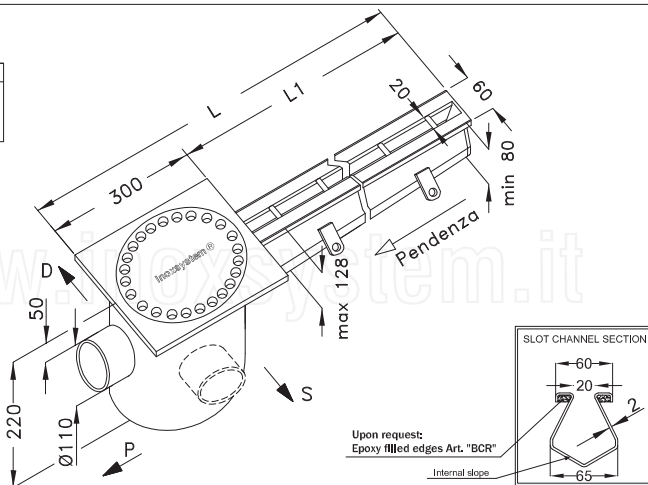
\* all measures can be modified upon request

Dwg Inoxsystem®  
1062

Art. CFOTS

N.B.: all measures are in mm

OUTLET PIPE ORIENTATION	
S	-LEFT
D	-RIGHT
P	-STRAIGHT



All made in stainless steel 2 mm thickness  
Aisi 304/304L(EN 1.4301/1.4307) - Upon request Aisi 316/316L(EN 1.4401/1.4404)