

Line
1150

www.inoxsystem.it

Heel proof slot channel with gully 80x80 mm outlet Ø 63 with filter basket - without odor trap All made in stainless steel Aisi 304 (Aisi 316 Upon request)

Inoxsystem®

www.inoxsystem.it - info@inoxsystem.it

SLOT CHANNEL WITH 8 mm HEELSAFE SLOT
WITH 80X80 mm GULLY
OUTLET Ø 63 mm WITH FILTER BASKET - WITHOUT ODOR TRAP

Vertical outlet in the center

Made of Art.:

- Slot channel Art. "C1"
- Gully mm80x80 with filter basket - without odor trap Art."CCV80"
- Further connection channel In the floor drain Art. "UI"

Upon request:

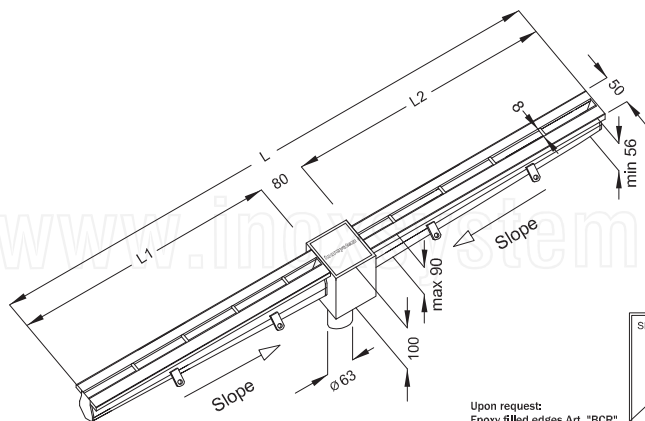
- Epoxy filled edges Art. "BCR"
- Flange connection Art. "FLC"

* all measures can be modified upon request

Dwg Inoxsystem®
1153

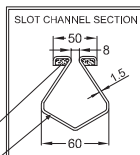
Art. CRV

N.B.: all measures are in mm



Upon request:
Epoxy filled edges Art. "BCR"

Internal slope



All made in stainless steel 1.5 mm thickness
Aisi 304/304L(EN 1.4301/1.4307) - Upon request Aisi 316/316L(EN 1.4401/1.4404)

Inoxsystem®

www.inoxsystem.it - info@inoxsystem.it

SLOT CHANNEL WITH 8 mm HEELSAFE SLOT
WITH 80X80 mm GULLY
OUTLET Ø 63 mm WITH FILTER BASKET - WITHOUT ODOR TRAP

Vertical outlet on the head

Made of Art.:

- Slot channel Art. "C1"
- Gully mm80x80 with filter basket - without odor trap Art."CCV80"

Upon request:

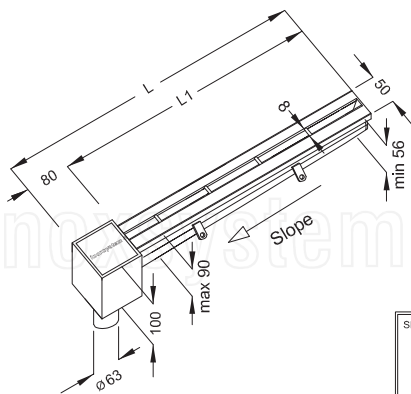
- Epoxy filled edges Art. "BCR"
- Flange connection Art. "FLC"

* all measures can be modified upon request

Dwg Inoxsystem®
1154

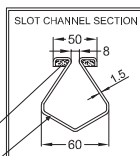
Art. CRVT

N.B.: all measures are in mm



Upon request:
Epoxy filled edges Art. "BCR"

Internal slope



All made in stainless steel 1.5 mm thickness
Aisi 304/304L(EN 1.4301/1.4307) - Upon request Aisi 316/316L(EN 1.4401/1.4404)

Inoxsystem®

www.Inoxsystem.It - Info@Inoxsystem.It

SLOT CHANNEL WITH 8 mm HEELSAFE SLOT
WITH 80X80 mm GULLY
OUTLET Ø 63 mm WITH FILTER BASKET - WITHOUT ODOR TRAP

Horizontal outlet in the center

Made of Art.:

- Slot channel Art. "C1"
- Gully mm80x80 with filter basket - without odor trap Art."CCL80"
- Further connection channel In the floor drain Art. "UI"

Upon request:

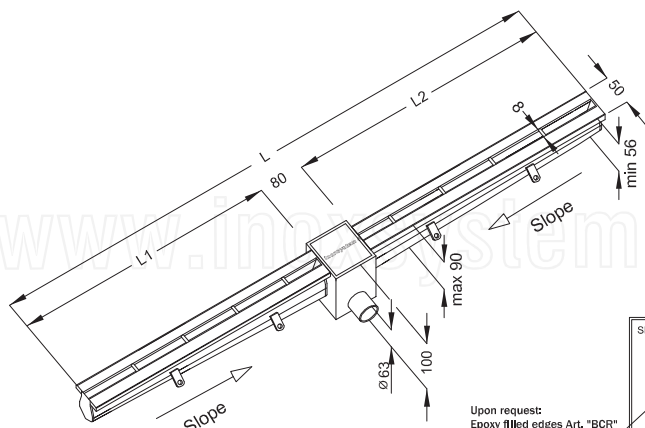
- Epoxy filled edges Art. "BCR"
- Flange connection Art. "FLC"

* all measures can be modified upon request

Dwg Inoxsystem®
1151

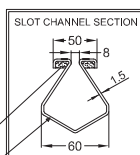
Art. CRO

N.B.: all measures are in mm



Upon request:
Epoxy filled edges Art. "BCR"

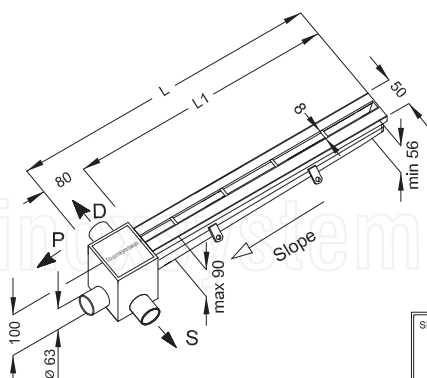
Internal slope



All made in stainless steel 1.5 mm thickness
Aisi 304/304L(EN 1.4301/1.4307) - Upon request Aisi 316/316L(EN 1.4401/1.4404)

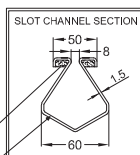
OUTLET PIPE ORIENTATION

- S -LEFT
- D -RIGHT
- P -STRAIGHT



Upon request:
Epoxy filled edges Art. "BCR"

Internal slope



All made in stainless steel 1.5 mm thickness
Aisi 304/304L(EN 1.4301/1.4307) - Upon request Aisi 316/316L(EN 1.4401/1.4404)

Inoxsystem®

www.Inoxsystem.It - Info@Inoxsystem.It

SLOT CHANNEL WITH 8 mm HEELSAFE SLOT
WITH 80X80 mm GULLY
OUTLET Ø 63 mm WITH FILTER BASKET - WITHOUT ODOR TRAP

Horizontal outlet on the head

Made of Art.:

- Slot channel Art. "C1"
- Gully mm80x80 with filter basket - without odor trap Art."CCL80"

Upon request:

- Epoxy filled edges Art. "BCR"
- Flange connection Art. "FLC"

* all measures can be modified upon request

Dwg Inoxsystem®
1152

Art. CROT

N.B.: all measures are in mm