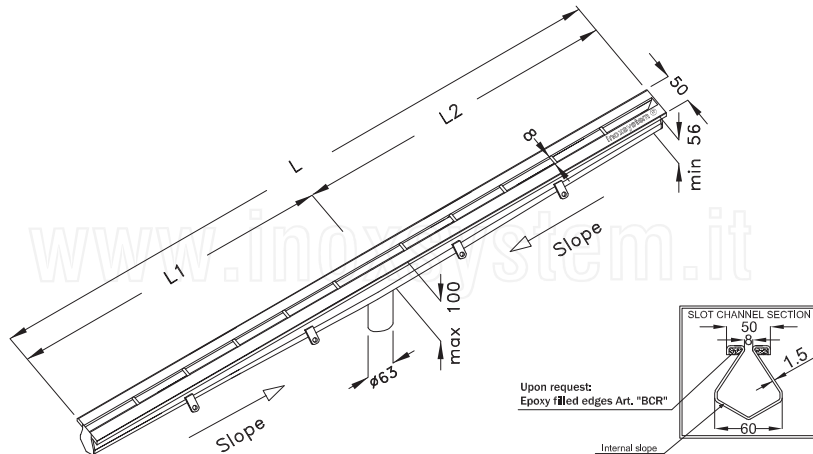


Line
1350

www.inoxsystem.it

**Heel proof slot channel with direct outlet Ø 63 mm
without inspection gully and filter basket - no odor trap
All made in stainless steel Aisi 304 (Aisi 316 Upon request)**



Inoxsystem®

www.inoxsystem.it - info@inoxsystem.it

**SLOT CHANNEL WITH 8 mm HEELSAFE SLOT
WITH DIRECT OUTLET Ø 63 mm
WITHOUT ODOR TRAP AND FILTER BASKET**

Vertical outlet in the center

Made of Art.:

- Slot channel Art. "C1"
- Vertical direct outlet Art."SDV"
- Additional channel welding Art. "SF"

Upon request:

- Epoxy filled edges Art. "BCR"
- Flange connection Art. "FLC"

* all measures can be modified upon request

Dwg Inoxsystem®
1353

Art. CFDV

N.B.: all measures are in mm

All made in stainless steel 1.5 mm thickness
Aisi 304/304L(EN 1.4301/1.4307) - Upon request Aisi 316/316L(EN 1.4401/1.4404)

Inoxsystem®

www.Inoxsystem.It - Info@Inoxsystem.It

**SLOT CHANNEL WITH 8 mm HEELSAFE SLOT
WITH DIRECT OUTLET Ø 63 mm
WITHOUT ODOR TRAP AND FILTER BASKET**

Vertical outlet on the head

Made of Art.:

- Slot channel Art. "C1"
- Vertical direct outlet Art."SDV"

Upon request:

- Epoxy filled edges Art. "BCR"
- Flange connection Art. "FLC"

* all measures can be modified upon request

Dwg Inoxsystem®
1354

Art. CFDVT

N.B.: all measures are in mm

All made in stainless steel 1.5 mm thickness
Aisi 304/304L(EN 1.4301/1.4307) - Upon request Aisi 316/316L(EN 1.4401/1.4404)

Inoxsystem®

www.inoxsystem.it - info@inoxsystem.it

**SLOT CHANNEL WITH 8 mm HEELSAFE SLOT
WITH DIRECT OUTLET Ø 63 mm
WITHOUT ODOR TRAP AND FILTER BASKET**

Horizontal outlet in the center

Made of Art.:

- Slot channel Art. "C1"
- Horizontal direct outlet Art."SDL"
- Additional channel welding Art. "SF"

Upon request:

- Epoxy filled edges Art. "BCR"
- Flange connection Art. "FLC"

* all measures can be modified upon request

Dwg Inoxsystem®
1351

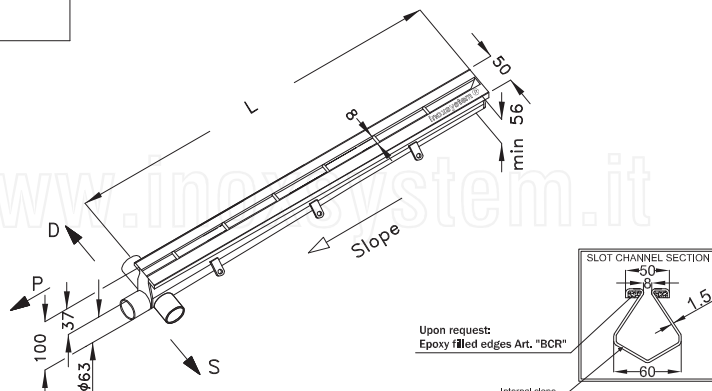
Art. CFDO

N.B.: all measures are in mm

All made in stainless steel 1.5 mm thickness
Aisi 304/304L(EN 1.4301/1.4307) - Upon request Aisi 316/316L(EN 1.4401/1.4404)

OUTLET PIPE ORIENTATION

- S -LEFT
- D -RIGHT
- P -STRAIGHT



Inoxsystem®

www.inoxsystem.it - info@inoxsystem.it

**SLOT CHANNEL WITH 8 mm HEELSAFE SLOT
WITH DIRECT OUTLET Ø 63 mm
WITHOUT ODOR TRAP AND FILTER BASKET**

Horizontal outlet on the head

Made of Art.:

- Slot channel Art. "C1"
- Horizontal direct outlet Art."SDL"
- Additional channel welding Art. "SF"

Upon request:

- Epoxy filled edges Art. "BCR"
- Flange connection Art. "FLC"

* all measures can be modified upon request

Dwg Inoxsystem®
1352

Art. CFDOT

N.B.: all measures are in mm

All made in stainless steel 1.5 mm thickness
Aisi 304/304L(EN 1.4301/1.4307) - Upon request Aisi 316/316L(EN 1.4401/1.4404)