

Line  
1450

www.inoxsystem.it

**Slot channel with vertical edges**  
**floor drain with top plate mm 150x150 outlet Ø63 with odor trap and filter basket**  
**All made in stainless steel Aisi 304 (Aisi 316 Upon request)**

**Inoxsystem®**

www.inoxsystem.it - info@inoxsystem.it

**SLOT CHANNEL WITH mm 8/15/20 VERTICAL EDGES**  
**FLOOR DRAIN WITH TOP PLATE mm 150x150 6 mm thick**  
**OUTLET Ø 63 WITH ODOR TRAP AND FILTER BASKET**

Vertical outlet in the center

**Made of Art.:**

- Slot channel Art. "C2BDV" or "C1BDV"
- Floor drain with odor trap and filter basket Art."RCV63156"\*
- \* Reduced holes
- \* Further connection channel in the floor drain Art. "UI"

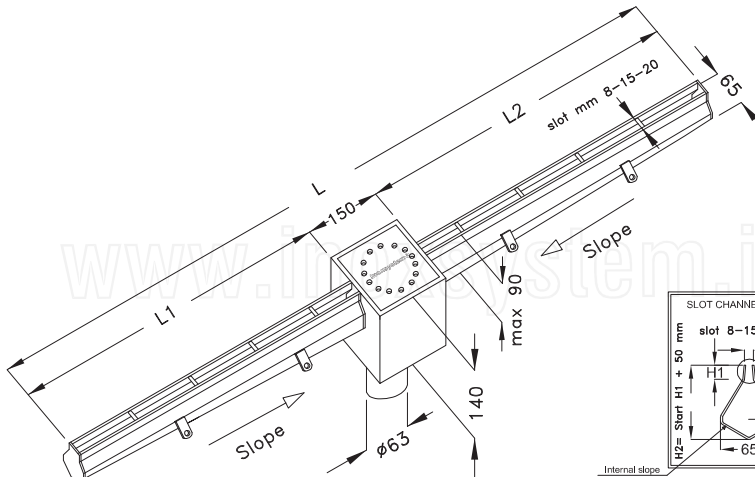
**Upon request:**

- Flange connection Art. "FLC"
- \* all measures can be modified upon request
- \*\* other type of top covers available (tile insert cover - with slot - others)

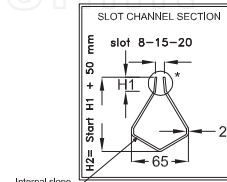
Dwg Inoxsystem®  
1453

Art. CFRVBD

N.B.: all measures are in mm



All made in stainless steel 2 mm thickness  
 Aisi 304/304L(EN 1.4301/1.4307) - Upon request Aisi 316/316L(EN 1.4401/1.4404)



\* TAPERED SLOT WITH VERTICAL EDGES  
 DESIGNED TO PREVENT CLOGGING

**Inoxsystem®**

www.inoxsystem.it - info@inoxsystem.it

**SLOT CHANNEL WITH mm 8/15/20 VERTICAL EDGES**  
**FLOOR DRAIN WITH TOP PLATE mm 150x150 6 mm thick**  
**OUTLET Ø 63 WITH ODOR TRAP AND FILTER BASKET**

Vertical outlet on the head

**Made of Art.:**

- Slot channel Art. "C2BDV" or "C1BDV"
- Floor drain with odor trap and filter basket Art."RCV63156"\*
- \* Reduced holes

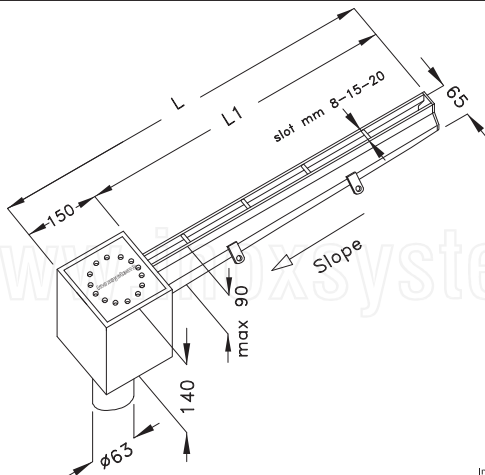
**Upon request:**

- Flange connection Art. "FLC"
- \* all measures can be modified upon request
- \*\* other type of top covers available (tile insert cover - with slot - others)

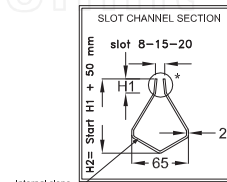
Dwg Inoxsystem®  
1454

Art. CFRVTBD

N.B.: all measures are in mm



All made in stainless steel 2 mm thickness  
 Aisi 304/304L(EN 1.4301/1.4307) - Upon request Aisi 316/316L(EN 1.4401/1.4404)



\* TAPERED SLOT WITH VERTICAL EDGES  
 DESIGNED TO PREVENT CLOGGING

**Inoxsystem®**

www.inoxsystem.it - info@inoxsystem.it

**SLOT CHANNEL WITH mm 8/15/20 VERTICAL EDGES**  
**FLOOR DRAIN WITH TOP PLATE mm 150x150 6 mm thick**  
**OUTLET Ø 63 WITH ODOR TRAP AND FILTER BASKET**

Horizontal outlet in the center

**Made of Art.:**

- Slot channel Art. "C2BDV" or "C1BDV"
- Floor drain with odor trap and filter basket Art."CLR63156"\*
- \* Reduced holes
- \* Further connection channel in the floor drain Art. "UI"

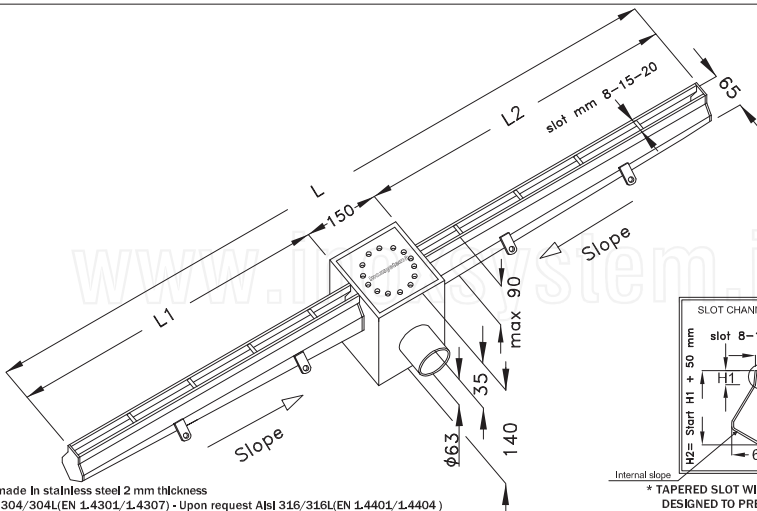
**Upon request:**

- Flange connection Art. "FLC"
- \* all measures can be modified upon request
- \*\* other type of top covers available (tile insert cover - with slot - others)

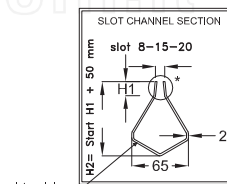
Dwg Inoxsystem®  
1451

Art. CFROBD

N.B.: all measures are in mm



All made in stainless steel 2 mm thickness  
 Aisi 304/304L(EN 1.4301/1.4307) - Upon request Aisi 316/316L(EN 1.4401/1.4404)



\* TAPERED SLOT WITH VERTICAL EDGES  
 DESIGNED TO PREVENT CLOGGING

**Inoxsystem®**

www.Inoxsystem.It - Info@Inoxsystem.It

**SLOT CHANNEL WITH mm 8/15/20 VERTICAL EDGES**  
**FLOOR DRAIN WITH TOP PLATE mm 150x150 6 mm thick**  
**OUTLET Ø 63 WITH ODOR TRAP AND FILTER BASKET**

Horizontal outlet on the head

**Made of Art.:**

- Slot channel Art. "C2BDV" or "C1BDV"
- Floor drain with odor trap and filter basket Art."CLR63156"\*
- \* Reduced holes

**Upon request:**

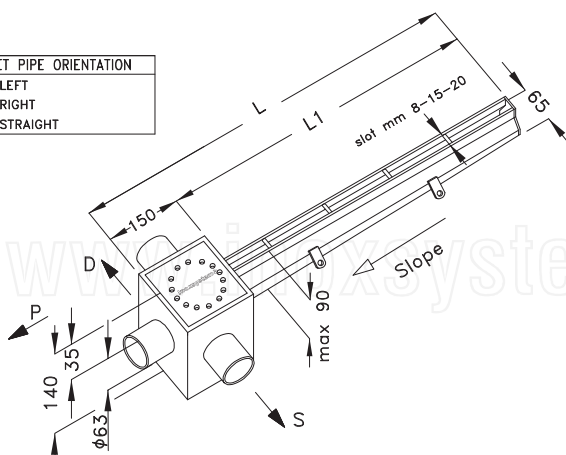
- Flange connection Art. "FLC"
- \* all measures can be modified upon request
- \*\* other type of top covers available (tile insert cover - with slot - others)

Dwg Inoxsystem®  
1452

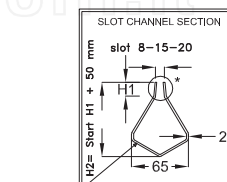
Art. CFROTBD

N.B.: all measures are in mm

OUTLET PIPE ORIENTATION	
S	-LEFT
D	-RIGHT
P	-STRAIGHT



All made in stainless steel 2 mm thickness  
 Aisi 304/304L(EN 1.4301/1.4307) - Upon request Aisi 316/316L(EN 1.4401/1.4404)



\* TAPERED SLOT WITH VERTICAL EDGES  
 DESIGNED TO PREVENT CLOGGING