

Line  
1460

www.inoxsystem.it

**Slot channel with vertical edges**  
**floor drain with tile insert cover mm 150x150 outlet Ø63 - odor trap and filter basket**  
**All made in stainless steel Aisi 304 (Aisi 316 Upon request)**

**Inoxsystem®**

www.Inoxsystem.It - Info@Inoxsystem.It

**SLOT CHANNEL WITH 8/15/20 mm VERTICAL EDGES**  
**FLOOR DRAIN WITH TILE INSERT COVER 150x150 mm**  
**OUTLET Ø 63 WITH ODOR TRAP AND FILTER BASKET**  
 Vertical outlet in the center

**Made of Art.:**

- Slot channel Art. "C2BDV" or "C1BDV"
- Floor drain with odor trap and filter basket Art."RCV63156"\*
- \* With top insert cover
- Further connection channel in the floor drain Art. "UI"

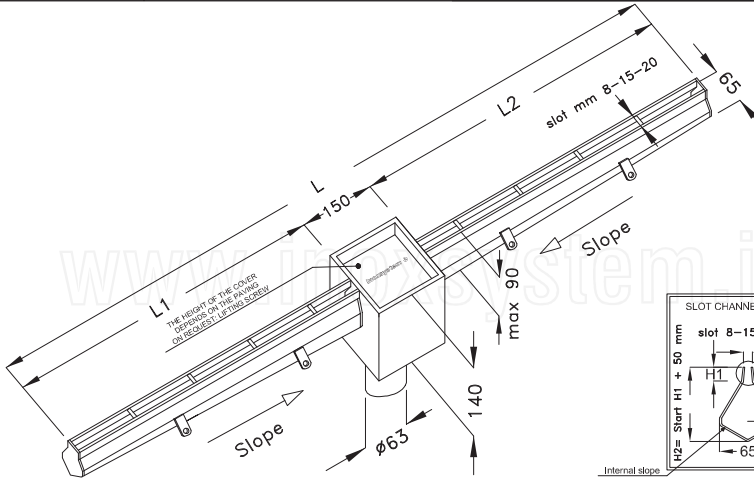
**Upon request:**

- Flange connection Art. "FLC"
- \* all measures can be modified upon request
- \*\* other type of top covers available (plate - with slot - others)

Dwg Inoxsystem®  
1463

Art. CFRVBDP

N.B.: all measures are in mm



All made in stainless steel 2 mm thickness  
 Aisi 304/304L(EN 1.4301/1.4307) - Upon request Aisi 316/316L(EN 1.4401/1.4404)

\* TAPERED SLOT WITH VERTICAL EDGES  
 DESIGNED TO PREVENT CLOGGING

**Inoxsystem®**

www.inoxsystem.it - info@inoxsystem.it

**SLOT CHANNEL WITH 8/15/20 mm VERTICAL EDGES**  
**FLOOR DRAIN WITH TILE INSERT COVER 150x150 mm**  
**OUTLET Ø 63 WITH ODOR TRAP AND FILTER BASKET**  
 Vertical outlet on the head

**Made of Art.:**

- Slot channel Art. "C2BDV" or "C1BDV"
- Floor drain with odor trap and filter basket Art."RCV63156"\*
- \* With top insert cover
- Further connection channel in the floor drain Art. "UI"

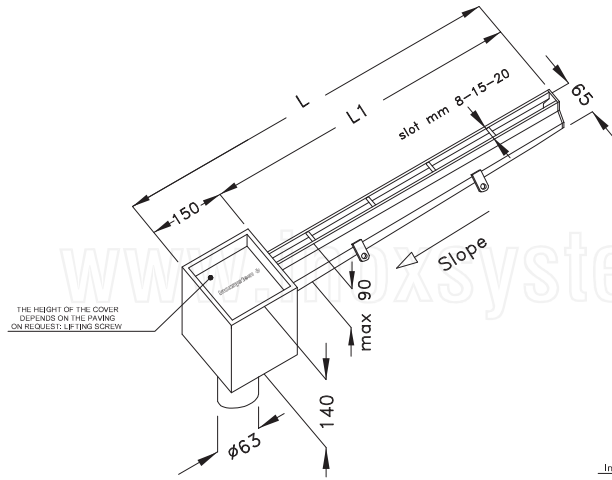
**Upon request:**

- Flange connection Art. "FLC"
- \* all measures can be modified upon request
- \*\* other type of top covers available (plate - with slot - others)

Dwg Inoxsystem®  
1464

Art. CFRVTBDP

N.B.: all measures are in mm



All made in stainless steel 2 mm thickness  
 Aisi 304/304L(EN 1.4301/1.4307) - Upon request Aisi 316/316L(EN 1.4401/1.4404)

\* TAPERED SLOT WITH VERTICAL EDGES  
 DESIGNED TO PREVENT CLOGGING

**Inoxsystem®**

www.inoxsystem.it - info@inoxsystem.it

**SLOT CHANNEL WITH 8/15/20 mm VERTICAL EDGES**  
**FLOOR DRAIN WITH TILE INSERT COVER 150x150 mm**  
**OUTLET Ø 63 WITH ODOR TRAP AND FILTER BASKET**  
 Horizontal outlet in the center

**Made of Art.:**

- Slot channel Art. "C2BDV" or "C1BDV"
- Floor drain with odor trap and filter basket Art."CLR63156"\*
- \* With top insert cover
- Further connection channel in the floor drain Art. "UI"

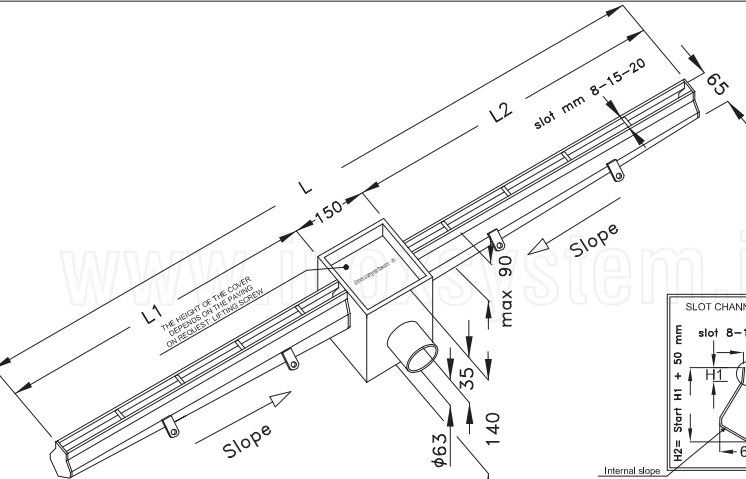
**Upon request:**

- Flange connection Art. "FLC"
- \* all measures can be modified upon request
- \*\* other type of top covers available (plate - with slot - others)

Dwg Inoxsystem®  
1461

Art. CFROBDP

N.B.: all measures are in mm



All made in stainless steel 2 mm thickness  
 Aisi 304/304L(EN 1.4301/1.4307) - Upon request Aisi 316/316L(EN 1.4401/1.4404)

\* TAPERED SLOT WITH VERTICAL EDGES  
 DESIGNED TO PREVENT CLOGGING

**Inoxsystem®**

www.inoxsystem.it - info@inoxsystem.it

**SLOT CHANNEL WITH 8/15/20 mm VERTICAL EDGES**  
**FLOOR DRAIN WITH TILE INSERT COVER 150x150 mm**  
**OUTLET Ø 63 WITH ODOR TRAP AND FILTER BASKET**  
 Horizontal outlet on the head

**Made of Art.:**

- Slot channel Art. "C2BDV" or "C1BDV"
- Floor drain with odor trap and filter basket Art."CLR63156"\*
- \* With top insert cover
- Further connection channel in the floor drain Art. "UI"

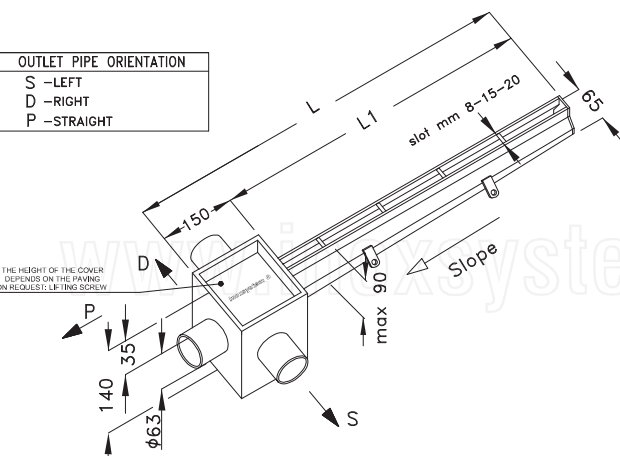
**Upon request:**

- Flange connection Art. "FLC"
- \* all measures can be modified upon request
- \*\* other type of top covers available (plate - with slot - others)

Dwg Inoxsystem®  
1462

Art. CFROTBDP

N.B.: all measures are in mm



All made in stainless steel 2 mm thickness  
 Aisi 304/304L(EN 1.4301/1.4307) - Upon request Aisi 316/316L(EN 1.4401/1.4404)

\* TAPERED SLOT WITH VERTICAL EDGES  
 DESIGNED TO PREVENT CLOGGING