

Line  
1470

www.inoxsystem.it

**Slot channel with vertical edges**  
**gully mm 80x80 outlet Ø 63 with filter basket - without odor trap**  
**All made in stainless steel Aisi 304 (Aisi 316 Upon request)**

**Inoxsystem®**

www.inoxsystem.it - info@inoxsystem.it

**SLOT CHANNEL WITH mm 8/15/20 VERTICAL EDGES**  
**WITH 80X80 mm GULLY \* WITH CENTRAL SLOT**  
**OUTLET Ø 63 mm WITH FILTER BASKET - WITHOUT ODOR TRAP**

Vertical outlet in the center

**Made of Art.:**

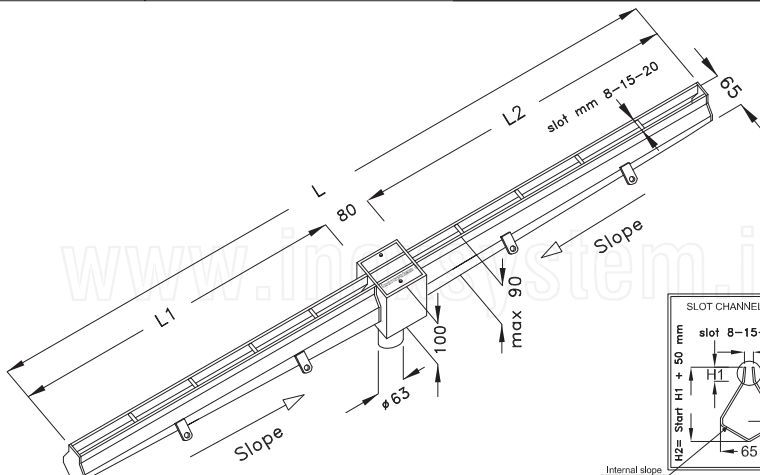
- Slot channel Art. "C2BDV" or "C1BDV"
- Gully with filter basket with odor trap Art. "CCV80"\*
- \* With central slot and fixing screws
- Further connection channel in the floor drain Art. "UI"

**Upon request:**

- Flange connection Art. "FLC"
- \* all measures can be modified upon request
- \*\* other type of top covers available (tile insert cover - with slot - others)

Dwg Innoxsystem®  
1473 Art. CRVBD

N.B.: all measures are in mm



All made in stainless steel 2 mm thickness  
 Aisi 304/304L(EN 1.4301/1.4307) - Upon request Aisi 316/316L(EN 1.4401/1.4404)

\* TAPERED SLOT WITH VERTICAL EDGES  
 DESIGNED TO PREVENT CLOGGING

**Inoxsystem®**

www.inoxsystem.it - info@inoxsystem.it

**SLOT CHANNEL WITH mm 8/15/20 VERTICAL EDGES**  
**WITH 80X80 mm GULLY \* WITH CENTRAL SLOT**  
**OUTLET Ø 63 mm WITH FILTER BASKET - WITHOUT ODOR TRAP**

Vertical outlet on the head

**Made of Art.:**

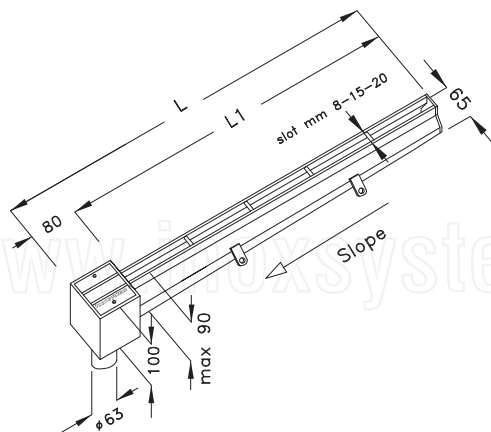
- Slot channel Art. "C2BDV" or "C1BDV"
- Gully with filter basket with odor trap Art. "CCV80"\*
- \* With central slot and fixing screws

**Upon request:**

- Flange connection Art. "FLC"
- \* all measures can be modified upon request
- \*\* other type of top covers available (tile insert cover - with slot - others)

Dwg Innoxsystem®  
1474 Art. CRVTBD

N.B.: all measures are in mm



All made in stainless steel 2 mm thickness  
 Aisi 304/304L(EN 1.4301/1.4307) - Upon request Aisi 316/316L(EN 1.4401/1.4404)

\* TAPERED SLOT WITH VERTICAL EDGES  
 DESIGNED TO PREVENT CLOGGING

**Inoxsystem®**

www.inoxsystem.it - info@inoxsystem.it

**SLOT CHANNEL WITH mm 8/15/20 VERTICAL EDGES**  
**WITH 80X80 mm GULLY \* WITH CENTRAL SLOT**  
**OUTLET Ø 63 mm WITH FILTER BASKET - WITHOUT ODOR TRAP**

Horizontal outlet in the center

**Made of Art.:**

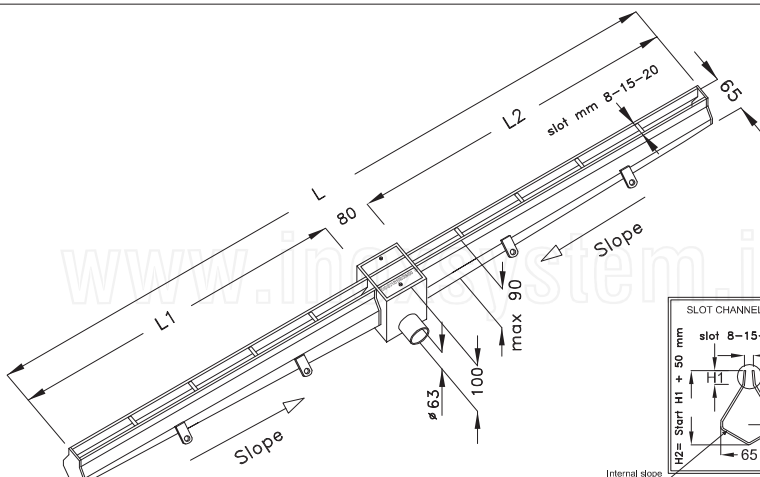
- Slot channel Art. "C2BDV" or "C1BDV"
- Gully with filter basket with odor trap Art. "CCL80"\*
- \* With central slot and fixing screws
- Further connection channel in the floor drain Art. "UI"

**Upon request:**

- Flange connection Art. "FLC"
- \* all measures can be modified upon request
- \*\* other type of top covers available (tile insert cover - with slot - others)

Dwg Innoxsystem®  
1471 Art. CROBD

N.B.: all measures are in mm



All made in stainless steel 2 mm thickness  
 Aisi 304/304L(EN 1.4301/1.4307) - Upon request Aisi 316/316L(EN 1.4401/1.4404)

\* TAPERED SLOT WITH VERTICAL EDGES  
 DESIGNED TO PREVENT CLOGGING

**Inoxsystem®**

www.inoxsystem.it - info@inoxsystem.it

**SLOT CHANNEL WITH mm 8/15/20 VERTICAL EDGES**  
**WITH 80X80 mm GULLY \* WITH CENTRAL SLOT**  
**OUTLET Ø 63 mm WITH FILTER BASKET - WITHOUT ODOR TRAP**

Horizontal outlet on the head

**Made of Art.:**

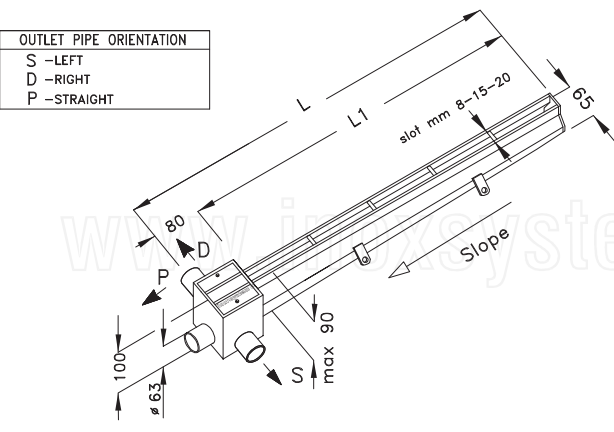
- Slot channel Art. "C2BDV" or "C1BDV"
- Gully with filter basket with odor trap Art. "CCL80"\*
- \* With central slot and fixing screws

**Upon request:**

- Flange connection Art. "FLC"
- \* all measures can be modified upon request
- \*\* other type of top covers available (tile insert cover - with slot - others)

Dwg Innoxsystem®  
1472 Art. CROTB

N.B.: all measures are in mm



All made in stainless steel 2 mm thickness  
 Aisi 304/304L(EN 1.4301/1.4307) - Upon request Aisi 316/316L(EN 1.4401/1.4404)

\* TAPERED SLOT WITH VERTICAL EDGES  
 DESIGNED TO PREVENT CLOGGING