

Line  
1480

www.inoxsystem.it

**Slot channel with vertical edges**  
**gully mm 80x80 with tile insert cover outlet Ø 63 with filter basket - without odor trap**  
**All made in stainless steel Aisi 304 (Aisi 316 Upon request)**

**Inoxsystem®**

www.inoxsystem.it - info@inoxsystem.it

**SLOT CHANNEL WITH mm 8/15/20 VERTICAL EDGES WITH 80X80 mm GULLY \* WITH TILE INSERT COVER OUTLET Ø 63 mm WITH FILTER BASKET - WITHOUT ODOR TRAP**

Vertical outlet in the center

**Made of Art.:**

- Slot channel Art. "C2BDV" or "C1BDV"
- Gully with filter basket with odor trap Art."CCV80"\*
- \* Tile insert cover - fixing screws upon request
- \* Further connection channel in the floor drain Art. "UI"

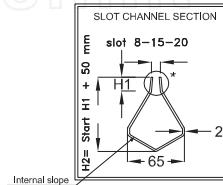
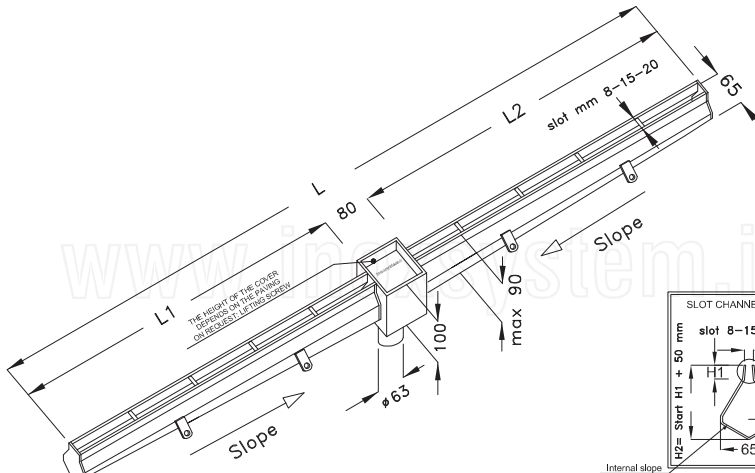
**Upon request:**

- Flange connection Art. "FLC"
- \* all measures can be modified upon request
- \*\* other type of top covers available (tile insert cover - with slot - others)

Dwg Inoxsystem®  
1483

Art. CRVBDP

N.B.: all measures are in mm



All made in stainless steel 2 mm thickness  
Aisi 304/304L(EN 1.4301/1.4307) - Upon request Aisi 316/316L(EN 1.4401/1.4404)

**Inoxsystem®**

www.inoxsystem.it - info@inoxsystem.it

**SLOT CHANNEL WITH mm 8/15/20 VERTICAL EDGES 80X80 mm GULLY \* WITH TILE INSERT COVER OUTLET Ø 63 mm WITH FILTER BASKET - WITHOUT ODOR TRAP**

Vertical outlet on the head

**Made of Art.:**

- Slot channel Art. "C2BDV" or "C1BDV"
- Gully with filter basket with odor trap Art."CCV80"\*
- \* Tile insert cover - fixing screws upon request

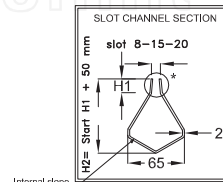
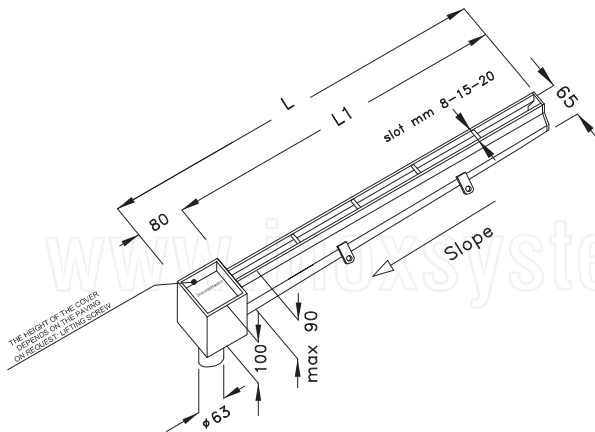
**Upon request:**

- Flange connection Art. "FLC"
- \* all measures can be modified upon request
- \*\* other type of top covers available (tile insert cover - with slot - others)

Dwg Inoxsystem®  
1484

Art. CRVTBDP

N.B.: all measures are in mm



All made in stainless steel 2 mm thickness  
Aisi 304/304L(EN 1.4301/1.4307) - Upon request Aisi 316/316L(EN 1.4401/1.4404)

**Inoxsystem®**

www.inoxsystem.it - info@inoxsystem.it

**SLOT CHANNEL WITH mm 8/15/20 VERTICAL EDGES 80X80 mm GULLY \* WITH TILE INSERT COVER OUTLET Ø 63 mm WITH FILTER BASKET - WITHOUT ODOR TRAP**

Horizontal outlet in the center

**Made of Art.:**

- Slot channel Art. "C2BDV" or "C1BDV"
- Gully with filter basket with odor trap Art."CCL80"\*
- \* Tile insert cover - fixing screws upon request
- \* Further connection channel in the floor drain Art. "UI"

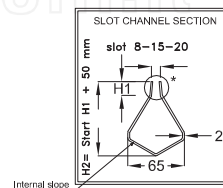
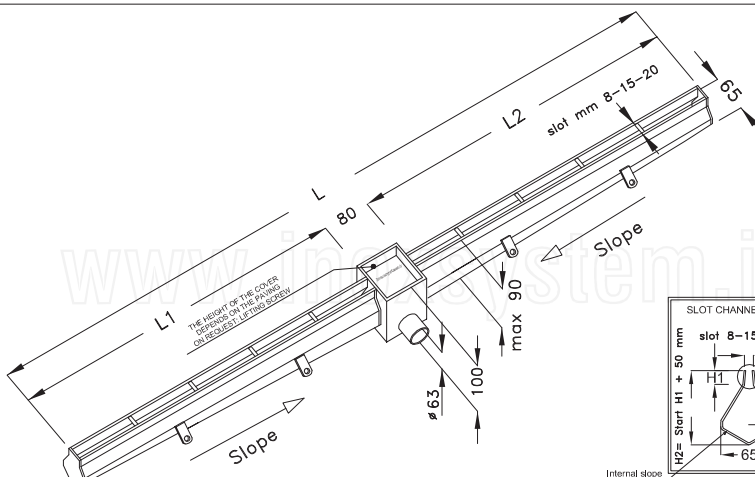
**Upon request:**

- Flange connection Art. "FLC"
- \* all measures can be modified upon request
- \*\* other type of top covers available (tile insert cover - with slot - others)

Dwg Inoxsystem®  
1481

Art. CROBDP

N.B.: all measures are in mm



All made in stainless steel 2 mm thickness  
Aisi 304/304L(EN 1.4301/1.4307) - Upon request Aisi 316/316L(EN 1.4401/1.4404)

**Inoxsystem®**

www.inoxsystem.it - info@inoxsystem.it

**SLOT CHANNEL WITH mm 8/15/20 VERTICAL EDGES 80X80 mm GULLY \* WITH TILE INSERT COVER OUTLET Ø 63 mm WITH FILTER BASKET - WITHOUT ODOR TRAP**

Horizontal outlet on the head

**Made of Art.:**

- Slot channel Art. "C2BDV" or "C1BDV"
- Gully with filter basket with odor trap Art."CCL80"\*
- \* Tile insert cover - fixing screws upon request

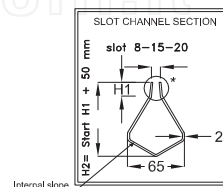
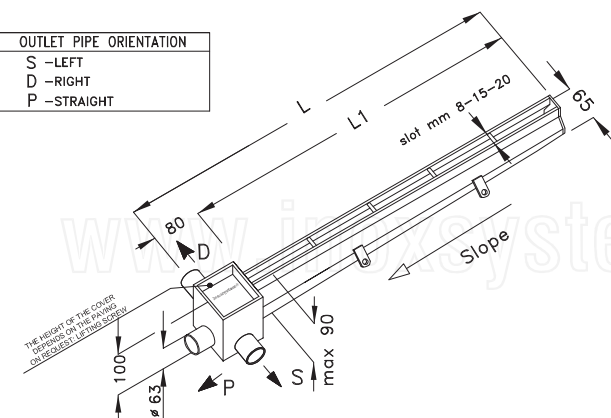
**Upon request:**

- Flange connection Art. "FLC"
- \* all measures can be modified upon request
- \*\* other type of top covers available (tile insert cover - with slot - others)

Dwg Inoxsystem®  
1482

Art. CROBDP

N.B.: all measures are in mm



All made in stainless steel 2 mm thickness  
Aisi 304/304L(EN 1.4301/1.4307) - Upon request Aisi 316/316L(EN 1.4401/1.4404)