

Line  
1490

www.inoxsystem.it

**Slot channel with vertical edges with direct outlet Ø 63 mm  
without inspection gully and filter basket - no odor trap  
All made in stainless steel Aisi 304 (Aisi 316 Upon request)**

**Inoxsystem®**

www.inoxsystem.it - info@inoxsystem.it

**SLOT CHANNEL WITH mm 8/15/20 VERTICAL EDGES  
WITH DIRECT OUTLET Ø 63 mm  
WITHOUT ODOR TRAP AND FILTER BASKET**

Vertical outlet in the center

**Made of Art.:**

- Slot channel Art. "C2BDV" or "C1BDV"
- Vertical direct outlet Art."SDL"
- Additional channel welding Art. "SF"

**Upon request:**

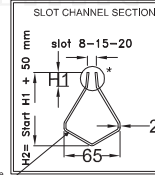
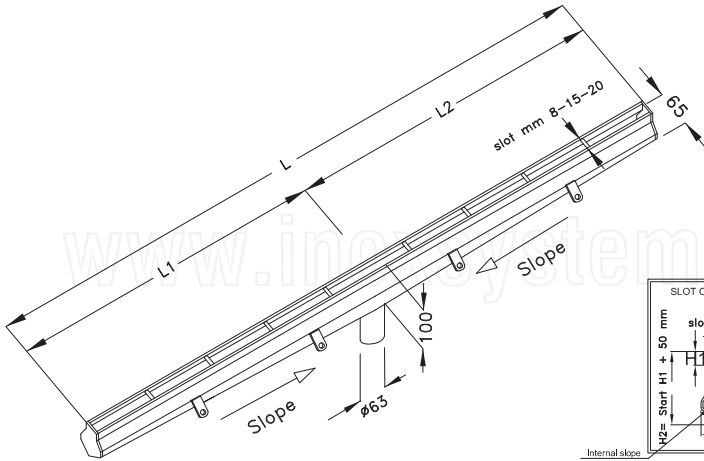
- Flange connection Art. "FLC"

\* all measures can be modified upon request

Dwg Inoxsystem®  
1493

Art. CFDVBD

N.B.: all measures are In mm



\* TAPERED SLOT WITH VERTICAL EDGES  
DESIGNED TO PREVENT CLOGGING

All made in stainless steel 2 mm thickness  
AISI 304/304L(EN 1.4301/1.4307) - Upon request AISI 316/316L(EN 1.4401/1.4404)

**Inoxsystem®**

www.inoxsystem.it - info@inoxsystem.it

**SLOT CHANNEL WITH mm 8/15/20 VERTICAL EDGES  
WITH DIRECT OUTLET Ø 63 mm  
WITHOUT ODOR TRAP AND FILTER BASKET**

Vertical outlet on the head

**Made of Art.:**

- Slot channel Art. "C2BDV" or "C1BDV"
- Vertical direct outlet Art."SDL"
- Additional channel welding Art. "SF"

**Upon request:**

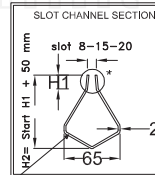
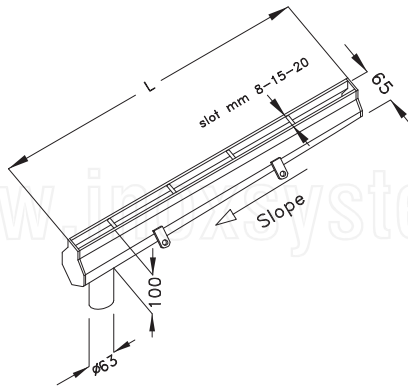
- Flange connection Art. "FLC"

\* all measures can be modified upon request

Dwg Inoxsystem®  
1494

Art. CFDVTBD

N.B.: all measures are In mm



\* TAPERED SLOT WITH VERTICAL EDGES  
DESIGNED TO PREVENT CLOGGING

All made in stainless steel 2 mm thickness  
AISI 304/304L(EN 1.4301/1.4307) - Upon request AISI 316/316L(EN 1.4401/1.4404)

**Inoxsystem®**

www.inoxsystem.it - info@inoxsystem.it

**SLOT CHANNEL WITH mm 8/15/20 VERTICAL EDGES  
WITH DIRECT OUTLET Ø 63 mm  
WITHOUT ODOR TRAP AND FILTER BASKET**

Horizontal outlet in the center

**Made of Art.:**

- Slot channel Art. "C2BDV" or "C1BDV"
- Horizontal direct outlet Art."SDL"
- Additional channel welding Art. "SF"

**Upon request:**

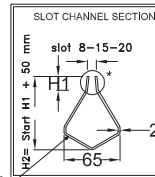
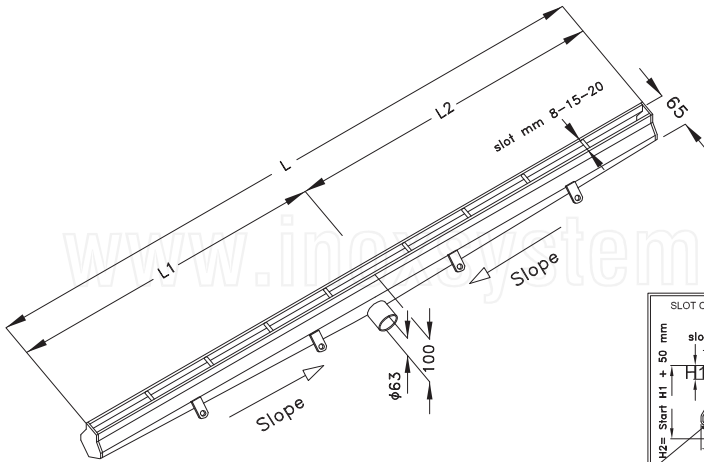
- Flange connection Art. "FLC"

\* all measures can be modified upon request

Dwg Inoxsystem®  
1491

Art. CFDOBD

N.B.: all measures are In mm



\* TAPERED SLOT WITH VERTICAL EDGES  
DESIGNED TO PREVENT CLOGGING

All made in stainless steel 2 mm thickness  
AISI 304/304L(EN 1.4301/1.4307) - Upon request AISI 316/316L(EN 1.4401/1.4404)

OUTLET PIPE ORIENTATION	
S	-LEFT
D	-RIGHT
P	-STRAIGHT

**Inoxsystem®**

www.inoxsystem.it - info@inoxsystem.it

**SLOT CHANNEL WITH mm 8/15/20 VERTICAL EDGES  
WITH DIRECT OUTLET Ø 63 mm  
WITHOUT ODOR TRAP AND FILTER BASKET**

Horizontal outlet on the head

**Made of Art.:**

- Slot channel Art. "C2BDV" or "C1BDV"
- Horizontal direct outlet Art."SDL"
- Additional channel welding Art. "SF"

**Upon request:**

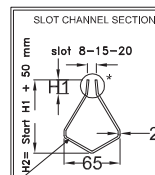
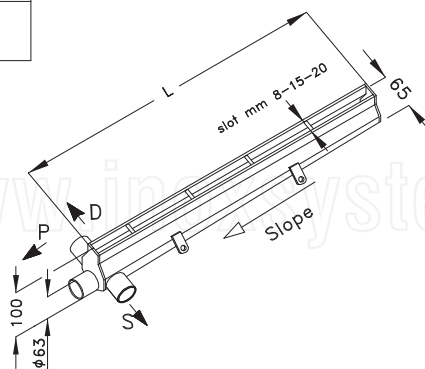
- Flange connection Art. "FLC"

\* all measures can be modified upon request

Dwg Inoxsystem®  
1492

Art. CFDOTBD

N.B.: all measures are In mm



\* TAPERED SLOT WITH VERTICAL EDGES  
DESIGNED TO PREVENT CLOGGING

All made in stainless steel 2 mm thickness  
AISI 304/304L(EN 1.4301/1.4307) - Upon request AISI 316/316L(EN 1.4401/1.4404)