

Slot channel with vertical edges
gully mm 80x80 outlet Ø 63 with filter basket - without odor trap
All made in stainless steel Aisi 304 (Aisi 316 Upon request)

Inoxsystem®

www.inoxsystem.it - info@inoxsystem.it

SLOT CHANNEL WITH 8/15/20 mm LATERAL SLOT_VERTICAL EDGES WITH 80X80 mm GULLY * WITH LATERAL SLOT OUTLET Ø 63 mm WITH FILTER BASKET - WITHOUT ODOR TRAP

Vertical outlet in the center

Made of Art.:

- Slot channel Art. "C2BDVL" or "C1BDVL"
- Gully with filter basket with odor trap Art."CCV80"*
- * With lateral slot and fixing screws
- Further connection channel in the floor drain Art. "UI"

Upon request:

- Flange connection Art. "FLC"
- * all measures can be modified upon request
- ** other type of top covers available (tile insert cover - with slot - others)



* TAPERED SLOT WITH VERTICAL EDGES DESIGNED TO PREVENT CLOGGING

Dwg Innoxsystem®
1673

Art. CRVBDL

N.B.: all measures are in mm

All made in stainless steel 2 mm thickness
 Aisi 304/304L(EN 1.4301/1.4307) - Upon request Aisi 316/316L(EN 1.4401/1.4404)

Inoxsystem®

www.inoxsystem.it - info@inoxsystem.it

SLOT CHANNEL WITH 8/15/20 mm LATERAL SLOT_VERTICAL EDGES WITH 80X80 mm GULLY * WITH LATERAL SLOT OUTLET Ø 63 mm WITH FILTER BASKET - WITHOUT ODOR TRAP

Vertical outlet on the head

Made of Art.:

- Slot channel Art. "C2BDVL" or "C1BDVL"
- Gully with filter basket with odor trap Art."CCV80"*
- * With lateral slot and fixing screws

Upon request:

- Flange connection Art. "FLC"
- * all measures can be modified upon request
- ** other type of top covers available (tile insert cover - with slot - others)



* TAPERED SLOT WITH VERTICAL EDGES DESIGNED TO PREVENT CLOGGING

Dwg Innoxsystem®
1674

Art. CRVTBDL

N.B.: all measures are in mm

All made in stainless steel 2 mm thickness
 Aisi 304/304L(EN 1.4301/1.4307) - Upon request Aisi 316/316L(EN 1.4401/1.4404)

Inoxsystem®

www.inoxsystem.it - info@inoxsystem.it

SLOT CHANNEL WITH 8/15/20 mm LATERAL SLOT_VERTICAL EDGES WITH 80X80 mm GULLY * WITH LATERAL SLOT OUTLET Ø 63 mm WITH FILTER BASKET - WITHOUT ODOR TRAP

Horizontal outlet in the center

Made of Art.:

- Slot channel Art. "C2BDVL" or "C1BDVL"
- Gully with filter basket with odor trap Art."CCL80"*
- * With lateral slot and fixing screws
- Further connection channel in the floor drain Art. "UI"

Upon request:

- Flange connection Art. "FLC"
- * all measures can be modified upon request
- ** other type of top covers available (tile insert cover - with slot - others)



* TAPERED SLOT WITH VERTICAL EDGES DESIGNED TO PREVENT CLOGGING

Dwg Innoxsystem®
1671

Art. CROBDL

N.B.: all measures are in mm

All made in stainless steel 2 mm thickness
 Aisi 304/304L(EN 1.4301/1.4307) - Upon request Aisi 316/316L(EN 1.4401/1.4404)

Inoxsystem®

www.Inoxsystem.It - Info@Inoxsystem.It

SLOT CHANNEL WITH 8/15/20 mm LATERAL SLOT_VERTICAL EDGES WITH 80X80 mm GULLY * WITH LATERAL SLOT OUTLET Ø 63 mm WITH FILTER BASKET - WITHOUT ODOR TRAP

Horizontal outlet on the head

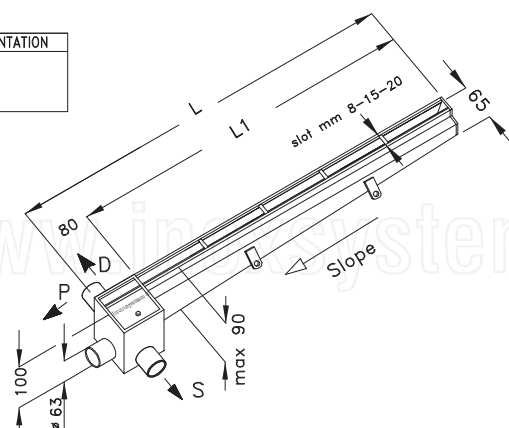
Made of Art.:

- Slot channel Art. "C2BDVL" or "C1BDVL"
- Gully with filter basket with odor trap Art."CCL80"*
- * With lateral slot and fixing screws

Upon request:

- Flange connection Art. "FLC"
- * all measures can be modified upon request
- ** other type of top covers available (tile insert cover - with slot - others)

OUTLET PIPE ORIENTATION	
S	-LEFT
D	-RIGHT
P	-STRAIGHT



* TAPERED SLOT WITH VERTICAL EDGES DESIGNED TO PREVENT CLOGGING

Dwg Innoxsystem®
1672

Art. CROBDDL

N.B.: all measures are in mm

All made in stainless steel 2 mm thickness
 Aisi 304/304L(EN 1.4301/1.4307) - Upon request Aisi 316/316L(EN 1.4401/1.4404)