

Line
4050

www.inoxsystem.it

Inoxsystem® Total Hygienic channel with 300x300x8 mm floor drain
provided with Inoxsystem® Total Hygienic kit composed of removable odor trap pipe & filter basket
Entirely made of grade 304 stainless steel (grade 316 on request)

Inoxsystem®

www.inoxsystem.it - info@inoxsystem.it

Inoxsystem® TOTAL HYGIENIC CHANNEL
300X300 mm FLOOR DRAIN, PLATE THK. 8 mm OUTLET Ø 110 mm
WITH REMOVABLE ODOR TRAP PIPE & FILTER BASKET KIT
Central vertical outlet with odor trap and filter basket

Composed of Art.:

- Channel with grating Art. "TH100"
(See table at page 48 of the general catalogue - Section Total Hygienic)
- Floor drain with removable odor trap and filter basket Art."CV110308E"*
- Floor drain - channel connection Art. "UITH"
- End cap Art. "TGTH"

Upon request:

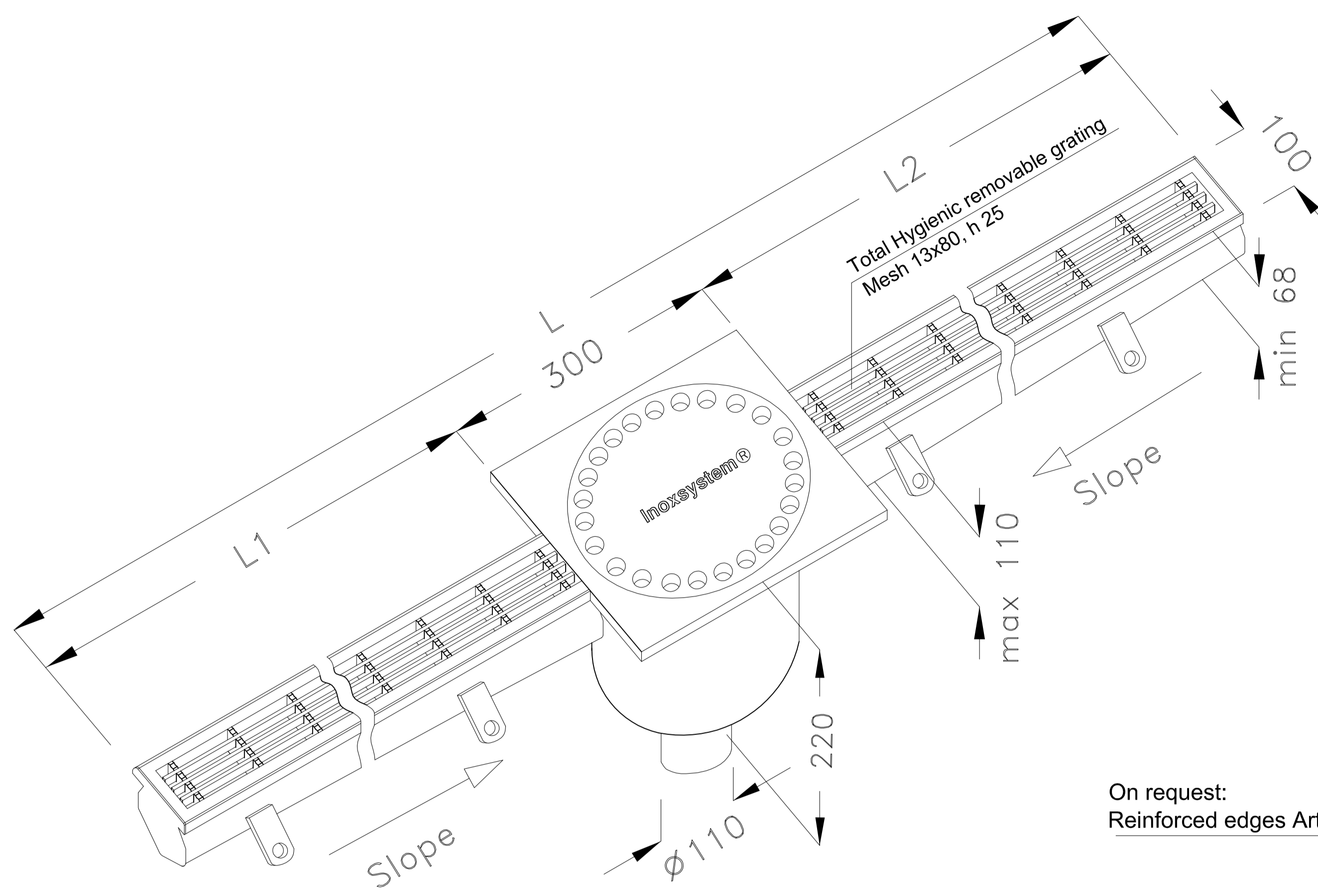
- Epoxy filled edges Art. "BGR"
- Bolted flange connection Art. "FLG"

* all dimensions can be modified upon request

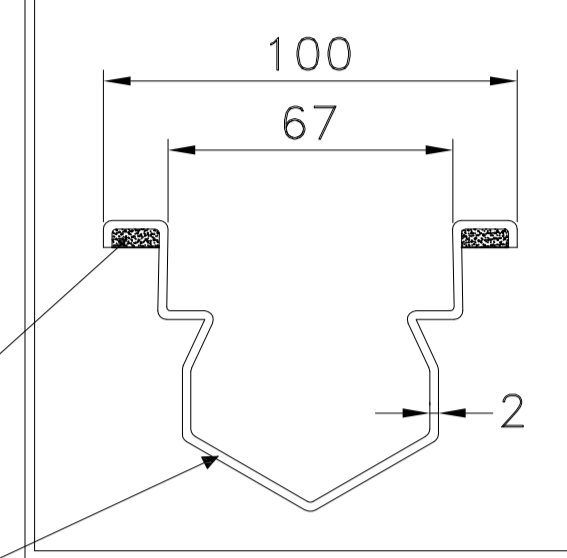
Inoxsystem® Dwg
4053

Art. CGVCPE

N.B.: all dimensions are in mm



CROSS SECTION



Grade 304 stainless steel (grade 316 on request) - Sheet thk. 2 mm

Inoxsystem®

www.inoxsystem.it - info@inoxsystem.it

Inoxsystem® TOTAL HYGIENIC CHANNEL
300X300 mm FLOOR DRAIN, PLATE THK. 8 mm OUTLET Ø 110 mm
WITH REMOVABLE ODOR TRAP PIPE & FILTER BASKET KIT
End vertical outlet with odor trap and filter basket

Composed of Art.:

- Channel with grating Art. "TH100"
(See table at page 48 of the general catalogue - Section Total Hygienic)
- Floor drain with removable odor trap and filter basket Art."CV110308E"*
- End cap Art. "TGTH"

Upon request:

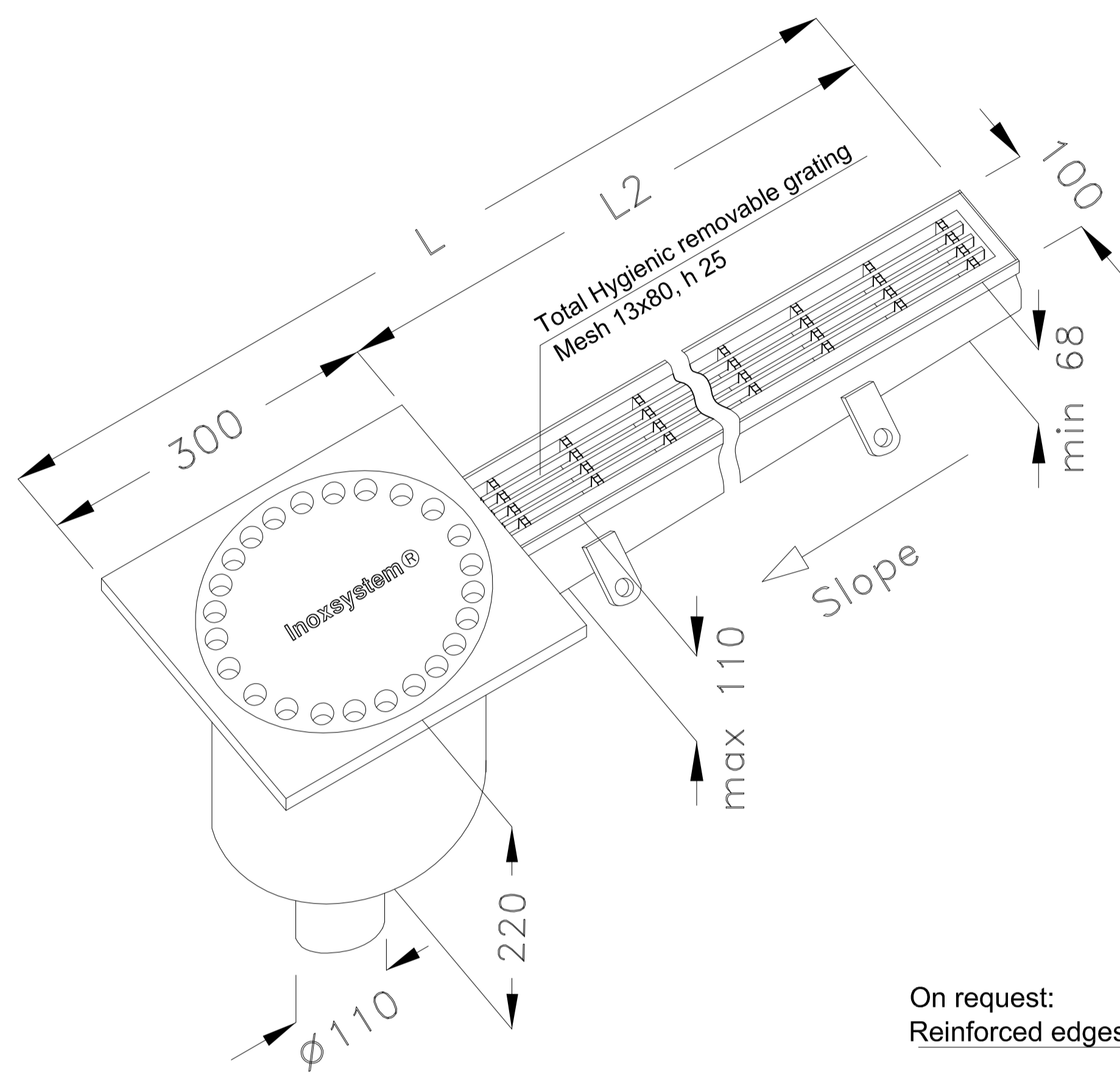
- Epoxy filled edges Art. "BGR"
- Bolted flange connection Art. "FLG"

* all dimensions can be modified upon request

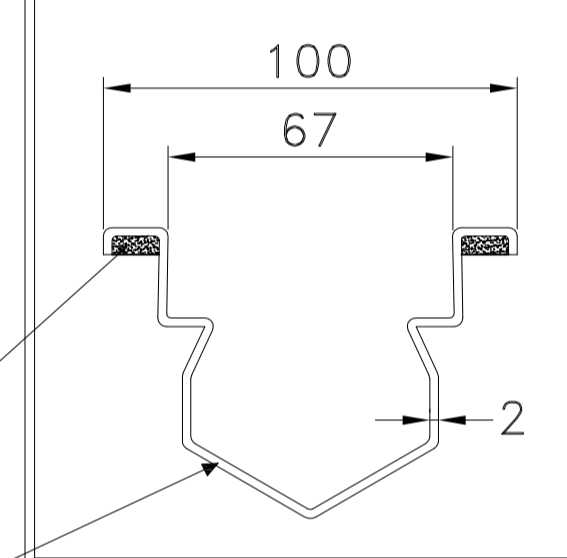
Inoxsystem® Dwg
4054

Art. CGVTCPE

N.B.: all dimensions are in mm



CROSS SECTION



Grade 304 stainless steel (grade 316 on request) - Sheet thk. 2 mm

Inoxsystem®

www.inoxsystem.it - info@inoxsystem.it

Inoxsystem® TOTAL HYGIENIC CHANNEL
300X300 mm FLOOR DRAIN, PLATE THK. 8 mm OUTLET Ø 110 mm
WITH REMOVABLE ODOR TRAP PIPE & FILTER BASKET KIT
Central horizontal outlet with odor trap and filter basket

Composed of Art.:

- Channel with grating Art. "TH100"
(See table at page 48 of the general catalogue - Section Total Hygienic)
- Floor drain with removable odor trap and filter basket Art."CL110308E"*
- Floor drain - channel connection Art. "UITH"
- End cap Art. "TGTH"

Upon request:

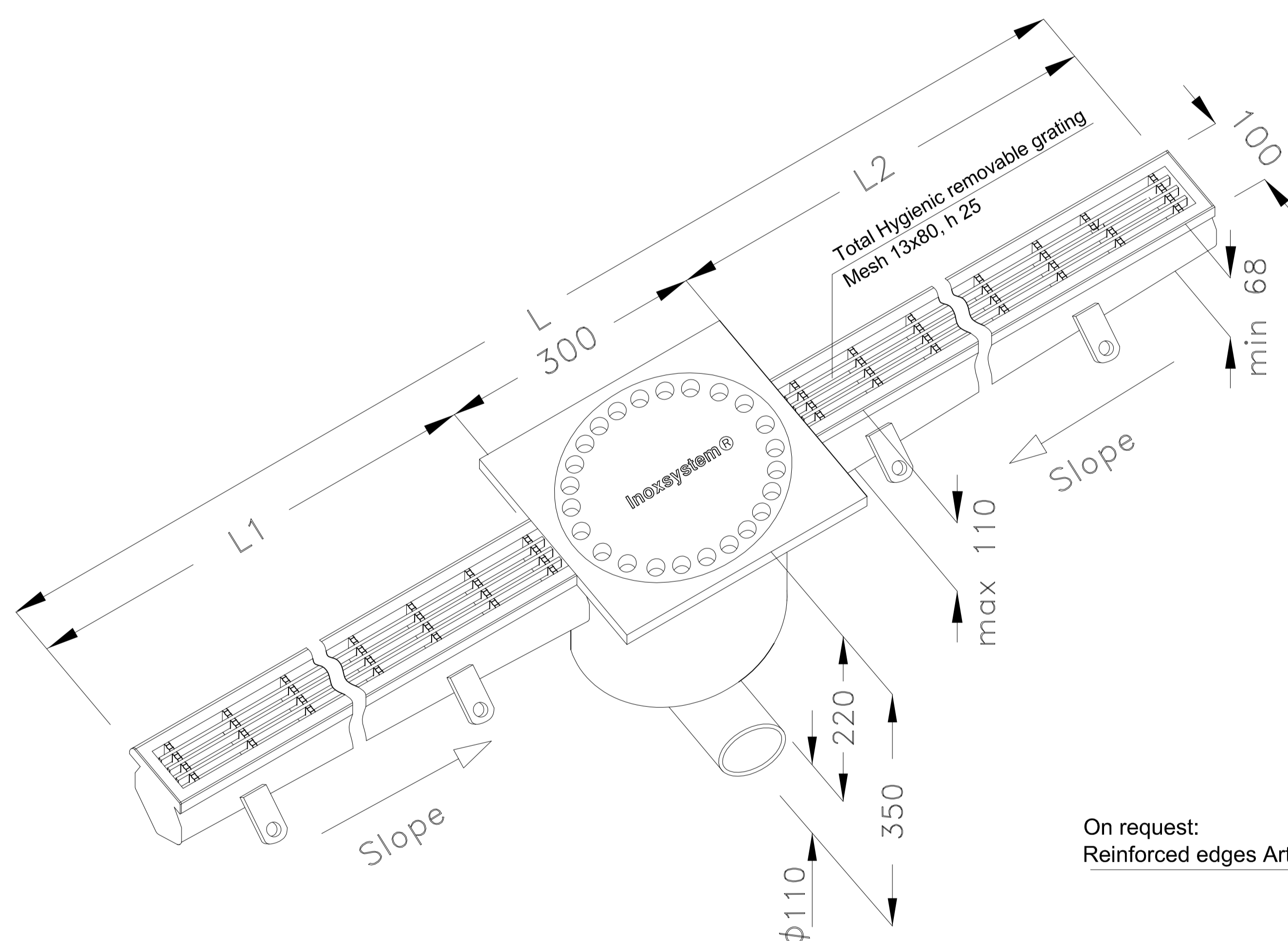
- Epoxy filled edges Art. "BGR"
- Bolted flange connection Art. "FLG"

* all dimensions can be modified upon request

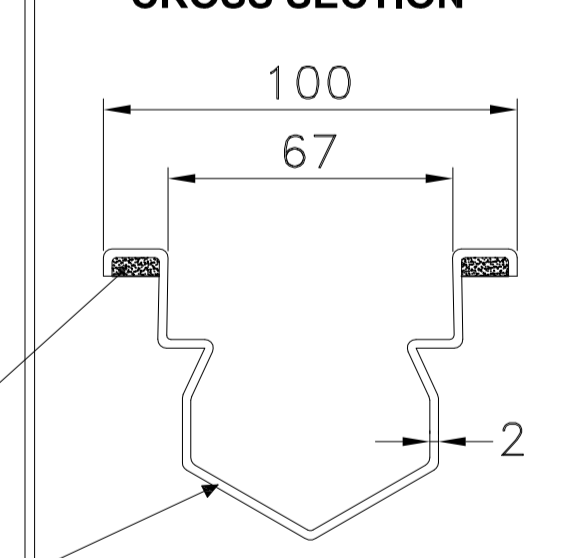
Inoxsystem® Dwg
4051

Art. CGOCPE

N.B.: all dimensions are in mm



CROSS SECTION



Grade 304 stainless steel (grade 316 on request) - Sheet thk. 2 mm

Inoxsystem®

www.inoxsystem.it - info@inoxsystem.it

Inoxsystem® TOTAL HYGIENIC CHANNEL
300X300 mm FLOOR DRAIN, PLATE THK. 8 mm OUTLET Ø 110 mm
WITH REMOVABLE ODOR TRAP PIPE & FILTER BASKET KIT
End horizontal outlet with odor trap and filter basket

Composed of Art.:

- Channel with grating Art. "TH100"
(See table at page 48 of the general catalogue - Section Total Hygienic)
- Floor drain with removable odor trap and filter basket Art."CL110308E"*
- End cap Art. "TGTH"

Upon request:

- Epoxy filled edges Art. "BGR"
- Bolted flange connection Art. "FLG"

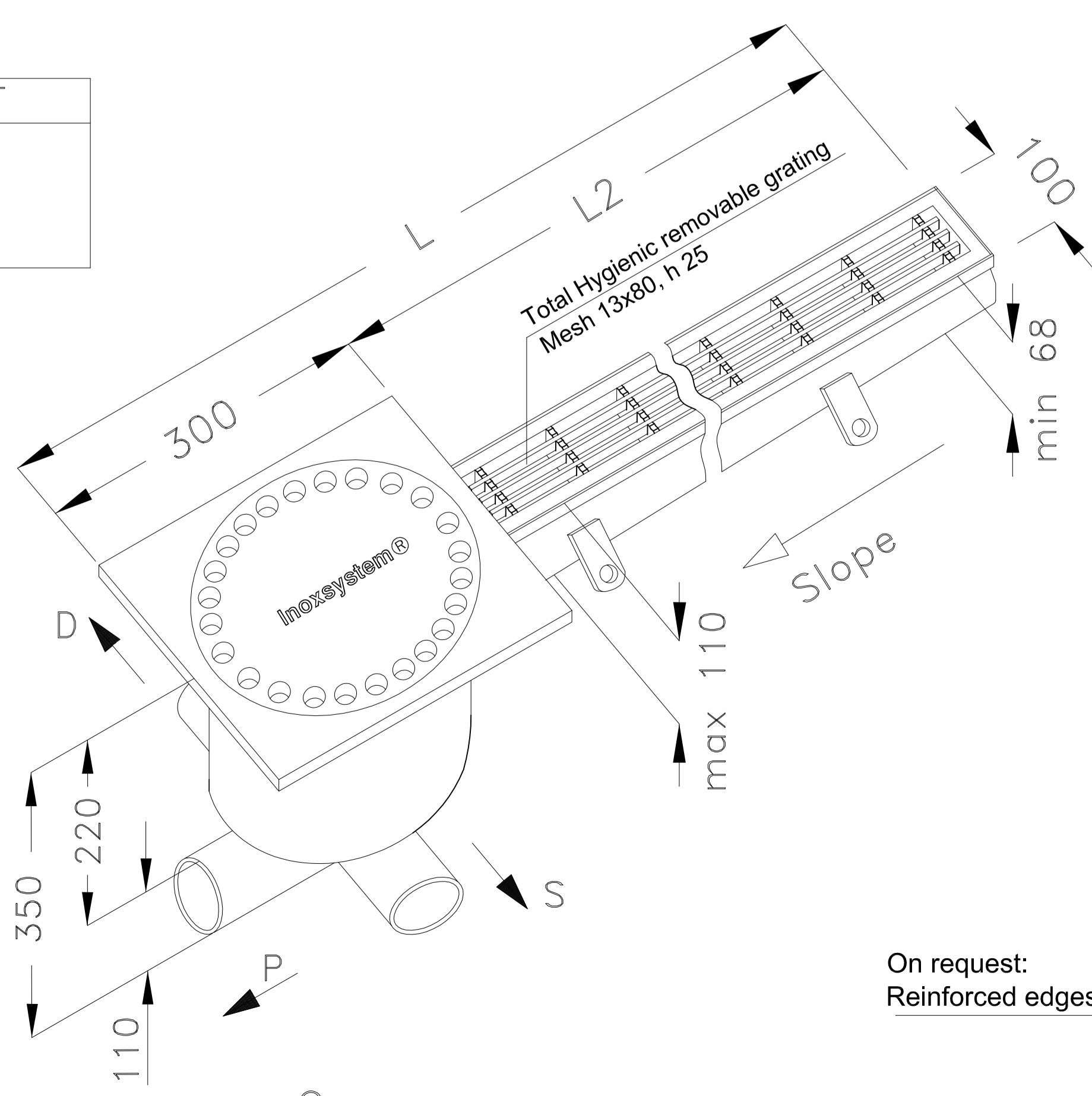
* all dimensions can be modified upon request

Inoxsystem® Dwg
4052

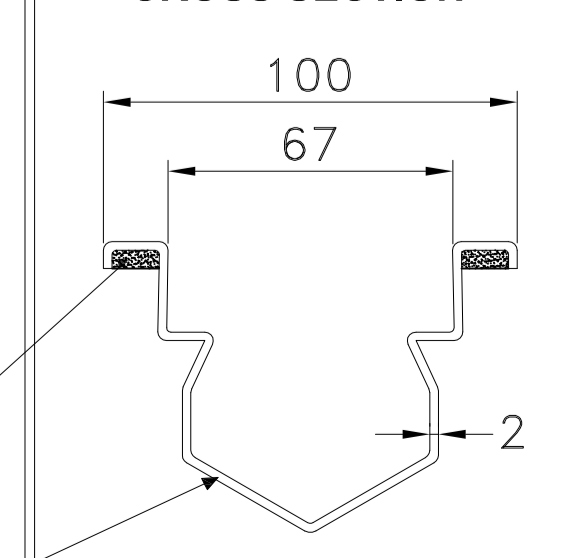
Art. CGOTCPE

N.B.: all dimensions are in mm

DIRECTION OF THE OUTLET
S - LEFT
D - RIGHT
P - STRAIGHT



CROSS SECTION



Grade 304 stainless steel (grade 316 on request) - Sheet thk. 2 mm