

Line  
**4060**

www.inoxsystem.it

**Inoxsystem® Total Hygienic channel with 300x300x8 mm floor drain**  
provided with Inoxsystem® Total Hygienic kit composed of removable cup shaped odor trap & filter basket  
**Entirely made of grade 304 stainless steel (grade 316 on request)**

**Inoxsystem®**

www.inoxsystem.it - info@inoxsystem.it

**Inoxsystem® TOTAL HYGIENIC CHANNEL**  
**300X300 mm FLOOR DRAIN, PLATE THK. 8 mm OUTLET Ø 110 mm**  
**WITH REMOVABLE CUP SHAPED ODOR TRAP & FILTER BASKET KIT**  
Central vertical outlet with odor trap and filter basket

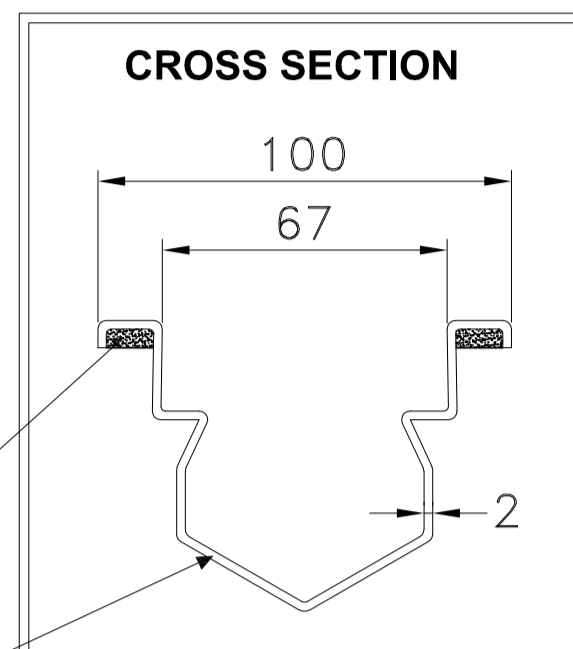
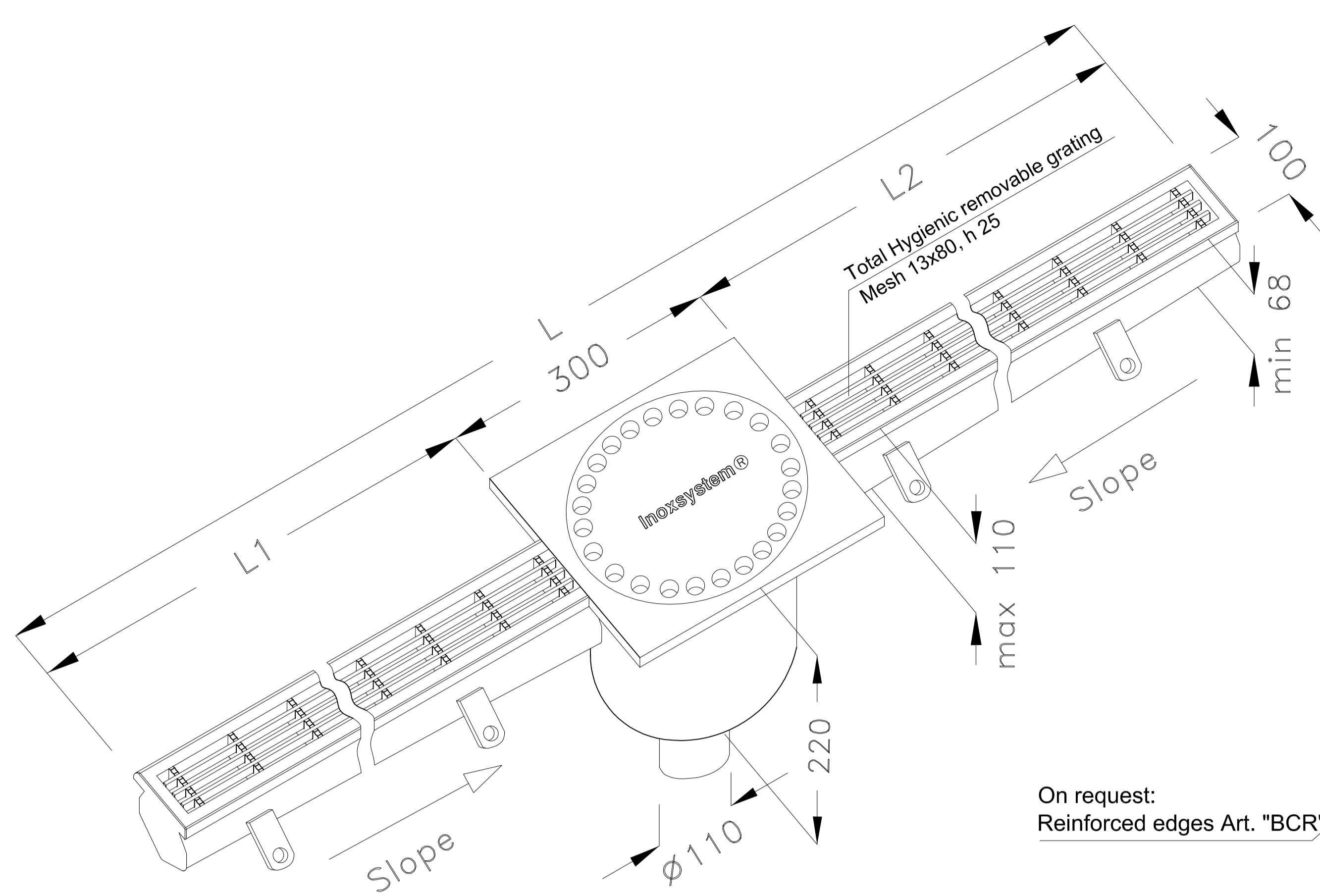
**Composed of Art.:**

- Channel with grating Art. "TH100"  
(See table at page 48 of the general catalogue - Section Total Hygienic)
- Floor drain with removable odor trap and filter basket Art."CV110308TH"\*
- Floor drain - channel connection Art. "UITH"
- End cap Art. "TGTH"

**Upon request:**

- Epoxy filled edges Art. "BGR"
- Bolted flange connection Art. "FLG"

\* all dimensions can be modified upon request



Inoxsystem® Dwg  
4063

Art. CGVCPH

Grade 304 stainless steel (grade 316 on request) - Sheet thk. 2 mm

N.B.: all dimensions are in mm

**Inoxsystem®**

www.inoxsystem.it - info@inoxsystem.it

**Inoxsystem® TOTAL HYGIENIC CHANNEL**  
**300X300 mm FLOOR DRAIN, PLATE THK. 8 mm OUTLET Ø 110 mm**  
**WITH REMOVABLE CUP SHAPED ODOR TRAP & FILTER BASKET KIT**  
End vertical outlet with odor trap and filter basket

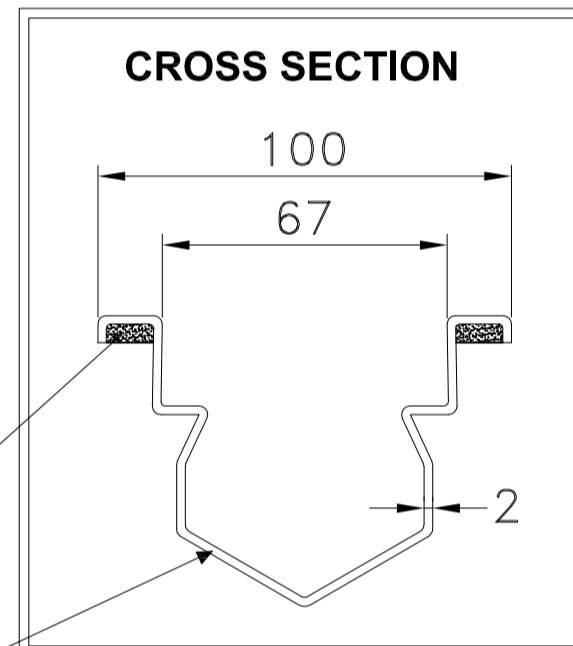
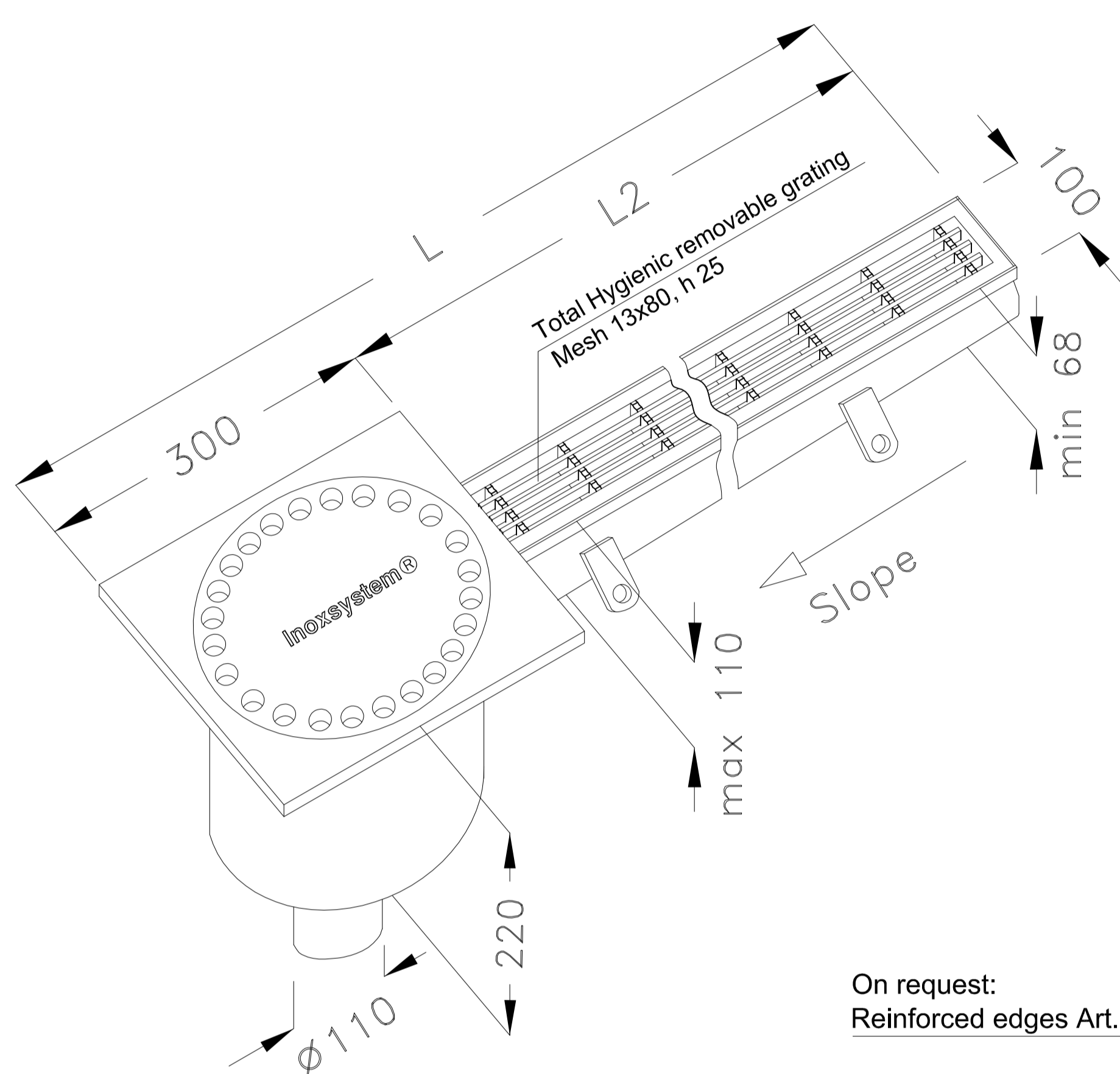
**Composed of Art.:**

- Channel with grating Art. "TH100"  
(See table at page 48 of the general catalogue - Section Total Hygienic)
- Floor drain with removable odor trap and filter basket Art."CV110308TH"\*
- End cap Art. "TGTH"

**Upon request:**

- Epoxy filled edges Art. "BGR"
- Bolted flange connection Art. "FLG"

\* all dimensions can be modified upon request



Inoxsystem® Dwg  
4064

Art. CGVCPH

Grade 304 stainless steel (grade 316 on request) - Sheet thk. 2 mm

N.B.: all dimensions are in mm

**Inoxsystem®**

www.inoxsystem.it - info@inoxsystem.it

**Inoxsystem® TOTAL HYGIENIC CHANNEL**  
**300X300 mm FLOOR DRAIN, PLATE THK. 8 mm OUTLET Ø 110 mm**  
**WITH REMOVABLE CUP SHAPED ODOR TRAP & FILTER BASKET KIT**  
Central horizontal outlet with odor trap and filter basket

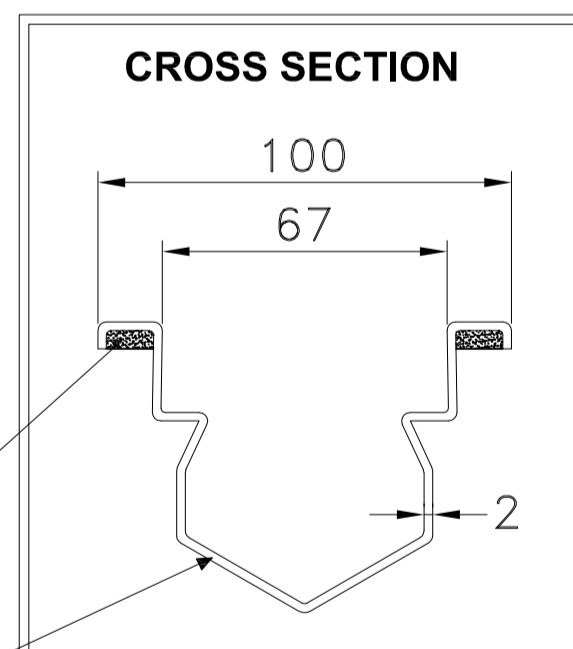
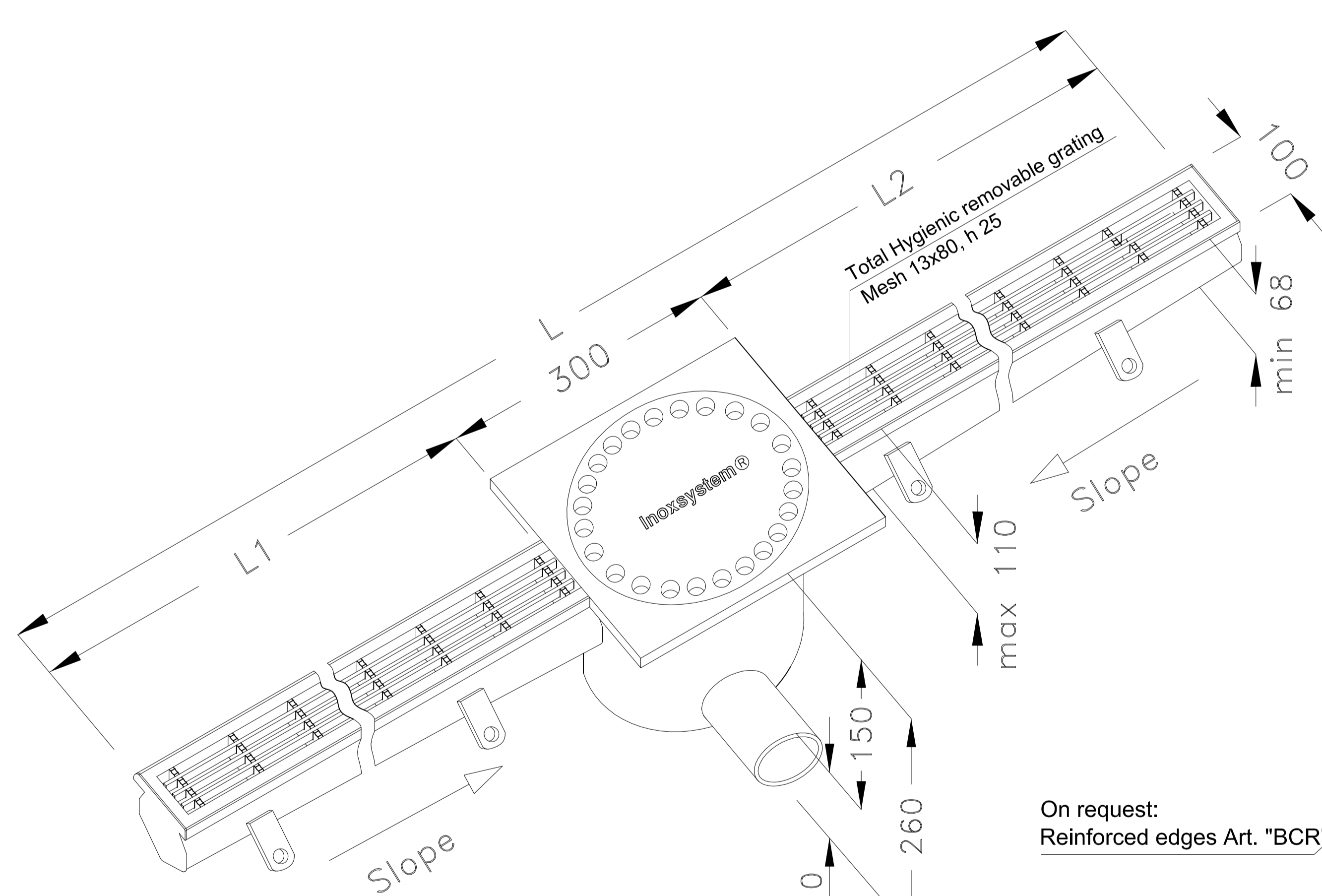
**Composed of Art.:**

- Channel with grating Art. "TH100"  
(See table at page 48 of the general catalogue - Section Total Hygienic)
- Floor drain with removable odor trap and filter basket Art."URCL110308TH"\*
- End cap Art. "TGTH"

**Upon request:**

- Epoxy filled edges Art. "BGR"
- Bolted flange connection Art. "FLG"

\* all dimensions can be modified upon request



Inoxsystem® Dwg  
4061

Art. CGOCPH

Grade 304 stainless steel (grade 316 on request) - Sheet thk. 2 mm

N.B.: all dimensions are in mm

**Inoxsystem®**

www.inoxsystem.it - info@inoxsystem.it

**Inoxsystem® TOTAL HYGIENIC CHANNEL**  
**300X300 mm FLOOR DRAIN, PLATE THK. 8 mm OUTLET Ø 110 mm**  
**WITH REMOVABLE CUP SHAPED ODOR TRAP & FILTER BASKET KIT**  
End horizontal outlet with odor trap and filter basket

**Composed of Art.:**

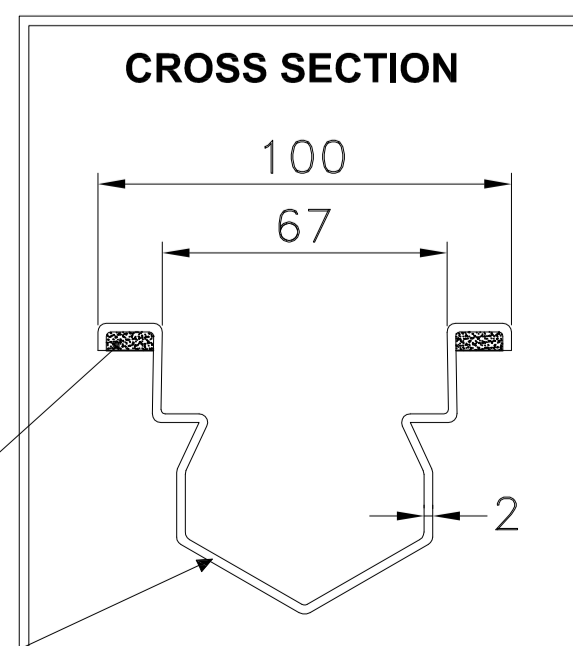
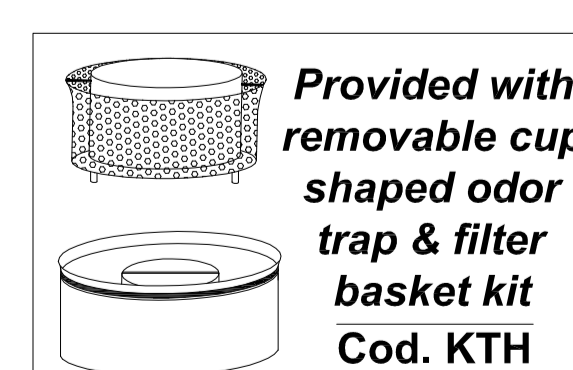
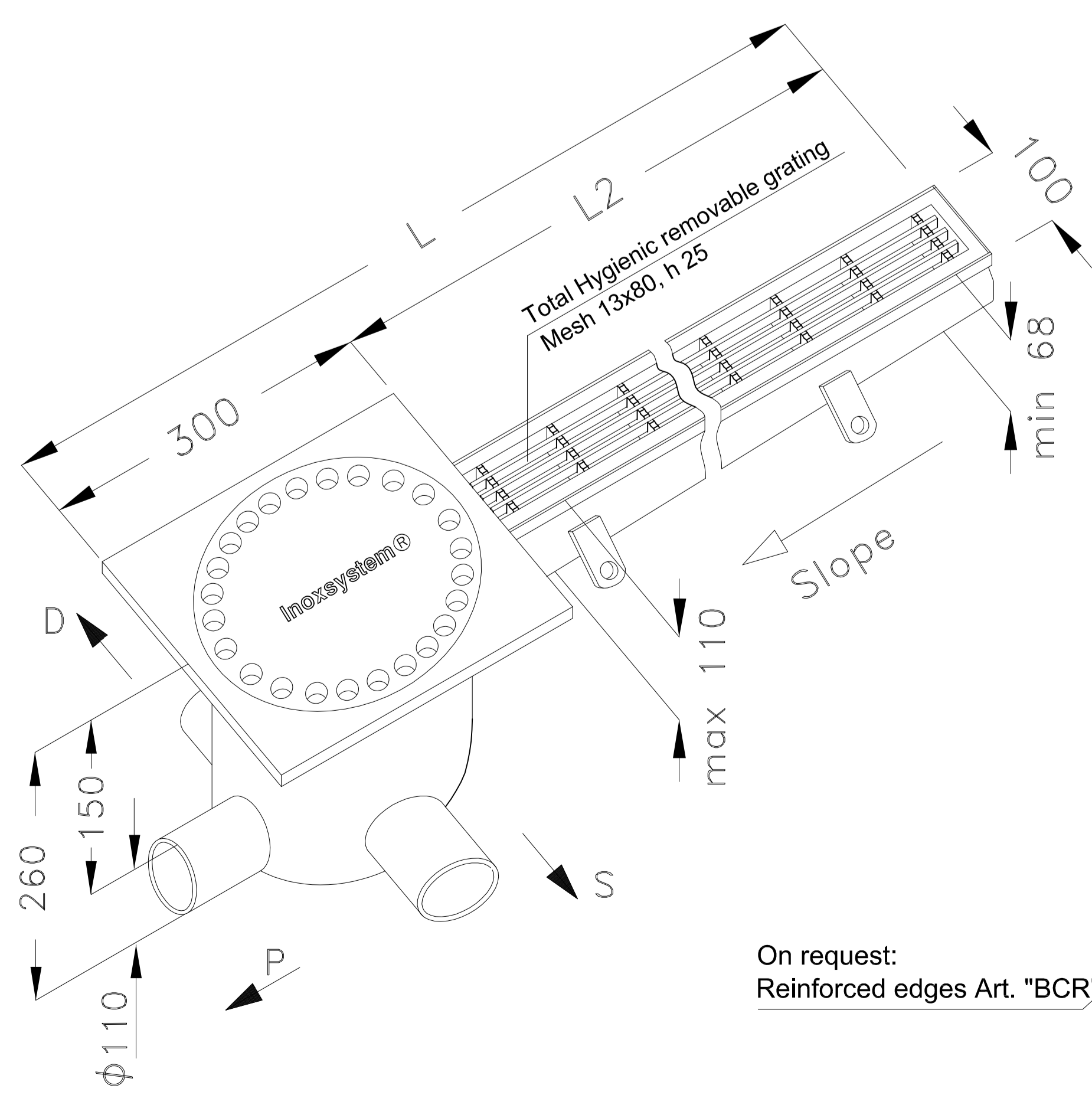
- Channel with grating Art. "TH100"  
(See table at page 48 of the general catalogue - Section Total Hygienic)
- Floor drain with removable odor trap and filter basket Art."URCL110308TH"\*
- End cap Art. "TGTH"

**Upon request:**

- Epoxy filled edges Art. "BGR"
- Bolted flange connection Art. "FLG"

\* all dimensions can be modified upon request

DIRECTION OF THE OUTLET	
S	-LEFT
D	-RIGHT
P	-STRAIGHT



Inoxsystem® Dwg  
4062

Art. CGOTCPH

Grade 304 stainless steel (grade 316 on request) - Sheet thk. 2 mm

N.B.: all dimensions are in mm