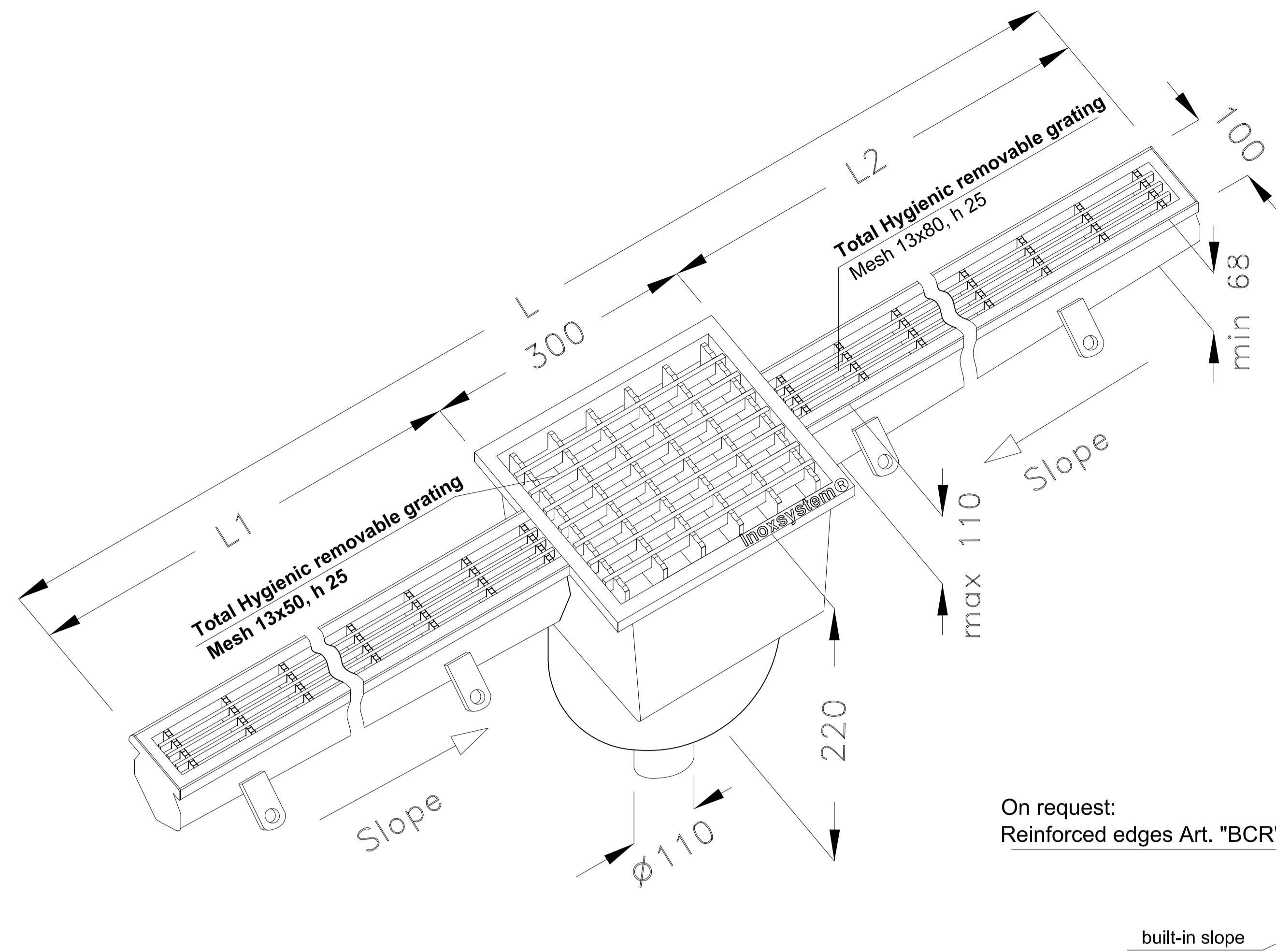


Line  
**4070**

www.inoxsystem.it

**Inoxsystem® Total Hygienic channel with 300x300 mm gully with grating**  
provided with Inoxsystem® Total Hygienic kit composed of removable odor trap pipe & filter basket  
**Entirely made of grade 304 stainless steel (grade 316 on request)**



Grade 304 stainless steel (grade 316 on request) - Sheet thk. 2 mm

**Inoxsystem®**

www.inoxsystem.it - info@inoxsystem.it  
Inoxsystem® TOTAL HYGIENIC CHANNEL  
GULLY WITH GRATING, EXT. DIM 300X300 mm, OUTLET Ø 110 mm  
WITH REMOVABLE ODOR TRAP PIPE & FILTER BASKET KIT  
Central vertical outlet with odor trap and filter basket

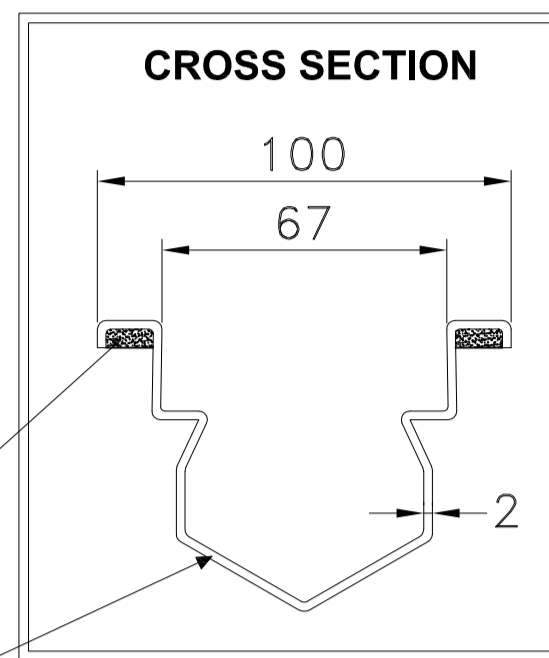
**Composed of Art.:**

- Channel with grating Art. "TH100"
- (See table at page 48 of the general catalogue - Section Total Hygienic)
- Gully with grating with removable odor trap and filter basket Art."CGV300110E"\*
- Gully - channel connection Art. "UITH"
- End cap Art. "TGTH"

**Upon request:**

- Epoxy filled edges Art. "BGR"
- Bolted flange connection Art. "FLG"

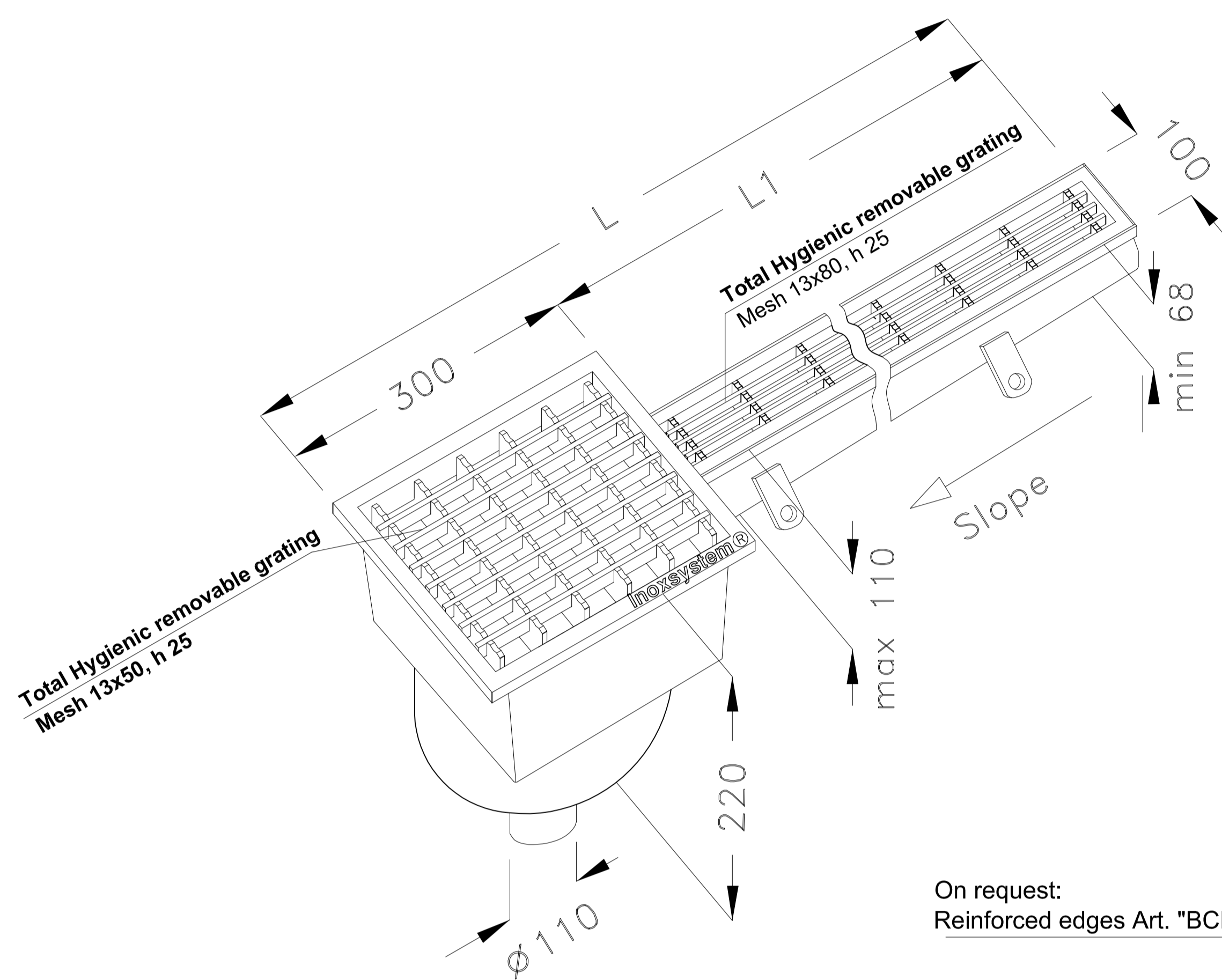
\* all dimensions can be modified upon request



Inoxsystem® Dwg  
4073

Art. CGVCGE

N.B.: all dimensions are in mm



Grade 304 stainless steel (grade 316 on request) - Sheet thk. 2 mm

**Inoxsystem®**

www.inoxsystem.it - info@inoxsystem.it  
Inoxsystem® TOTAL HYGIENIC CHANNEL  
GULLY WITH GRATING, EXT. DIM 300X300 mm, OUTLET Ø 110 mm  
WITH REMOVABLE ODOR TRAP PIPE & FILTER BASKET KIT  
End vertical outlet with odor trap and filter basket

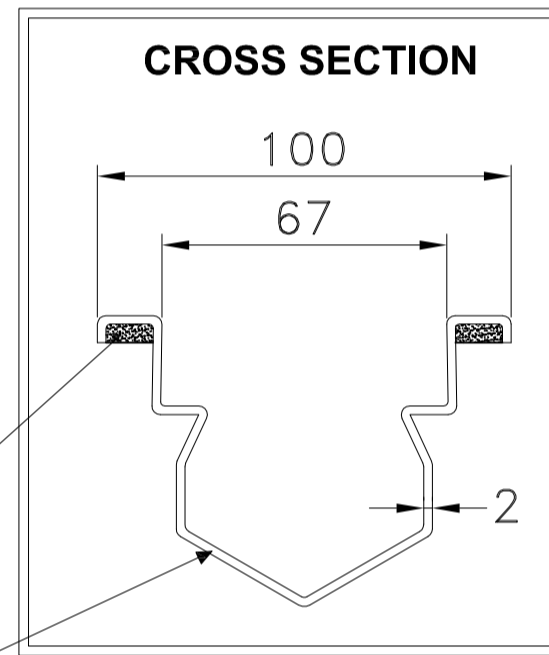
**Composed of Art.:**

- Channel with grating Art. "TH100"
- (See table at page 48 of the general catalogue - Section Total Hygienic)
- Gully with grating with removable odor trap and filter basket Art."CGV300110E"\*
- End cap Art. "TGTH"

**Upon request:**

- Epoxy filled edges Art. "BGR"
- Bolted flange connection Art. "FLG"

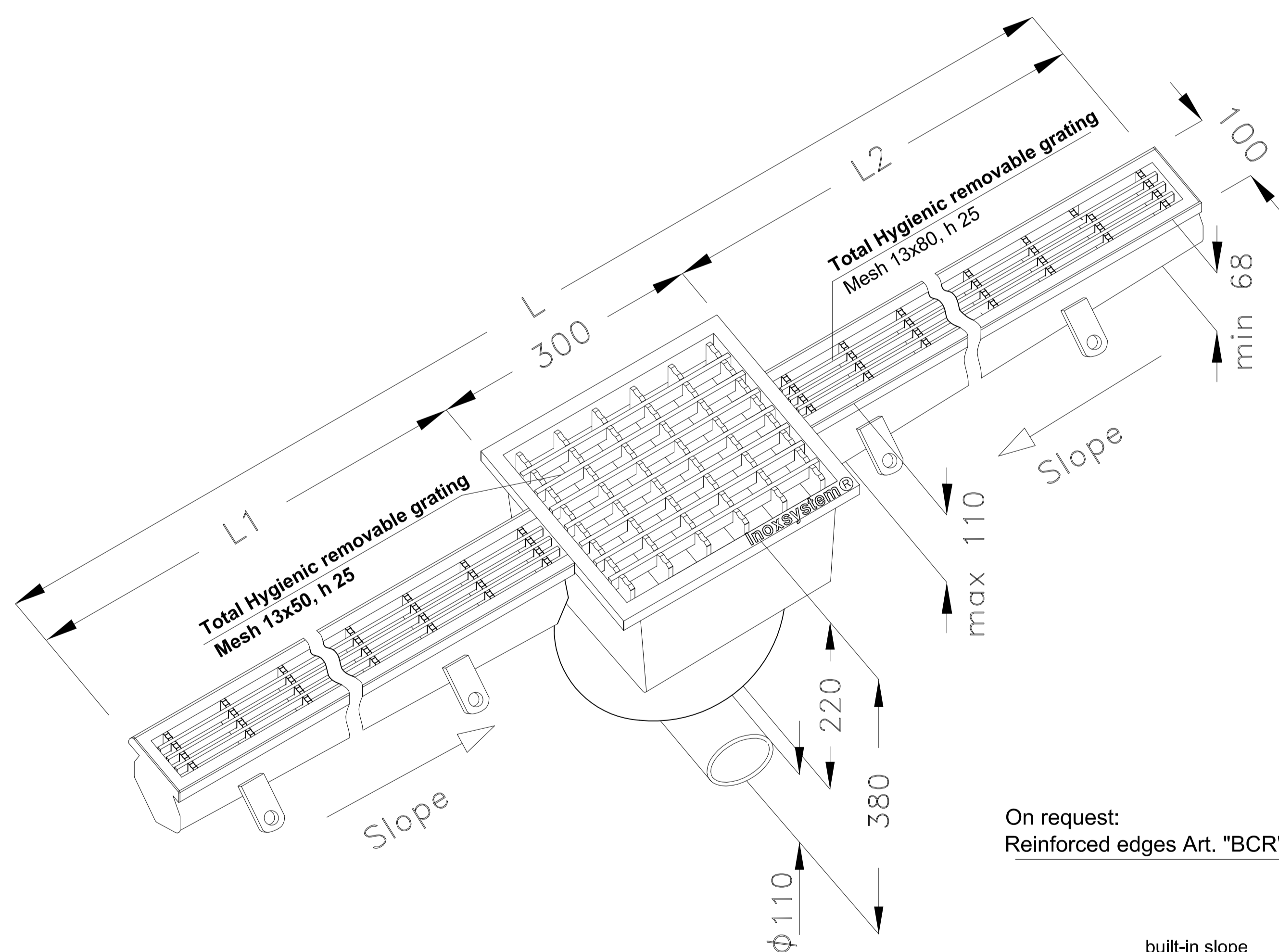
\* all dimensions can be modified upon request



Inoxsystem® Dwg  
4074

Art. CGVTCGE

N.B.: all dimensions are in mm



Grade 304 stainless steel (grade 316 on request) - Sheet thk. 2 mm

**Inoxsystem®**

www.inoxsystem.it - info@inoxsystem.it  
Inoxsystem® TOTAL HYGIENIC CHANNEL  
GULLY WITH GRATING, EXT. DIM 300X300 mm, OUTLET Ø 110 mm  
WITH REMOVABLE ODOR TRAP PIPE & FILTER BASKET KIT  
Central horizontal outlet with odor trap and filter basket

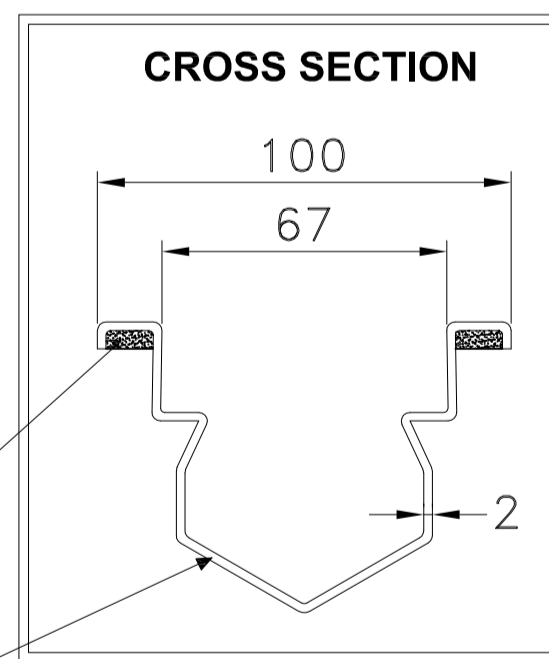
**Composed of Art.:**

- Channel with grating Art. "TH100"
- (See table at page 48 of the general catalogue - Section Total Hygienic)
- Gully with grating with removable odor trap and filter basket Art."CGL300110E"\*
- Gully - channel connection Art. "UITH"
- End cap Art. "TGTH"

**Upon request:**

- Epoxy filled edges Art. "BGR"
- Bolted flange connection Art. "FLG"

\* all dimensions can be modified upon request

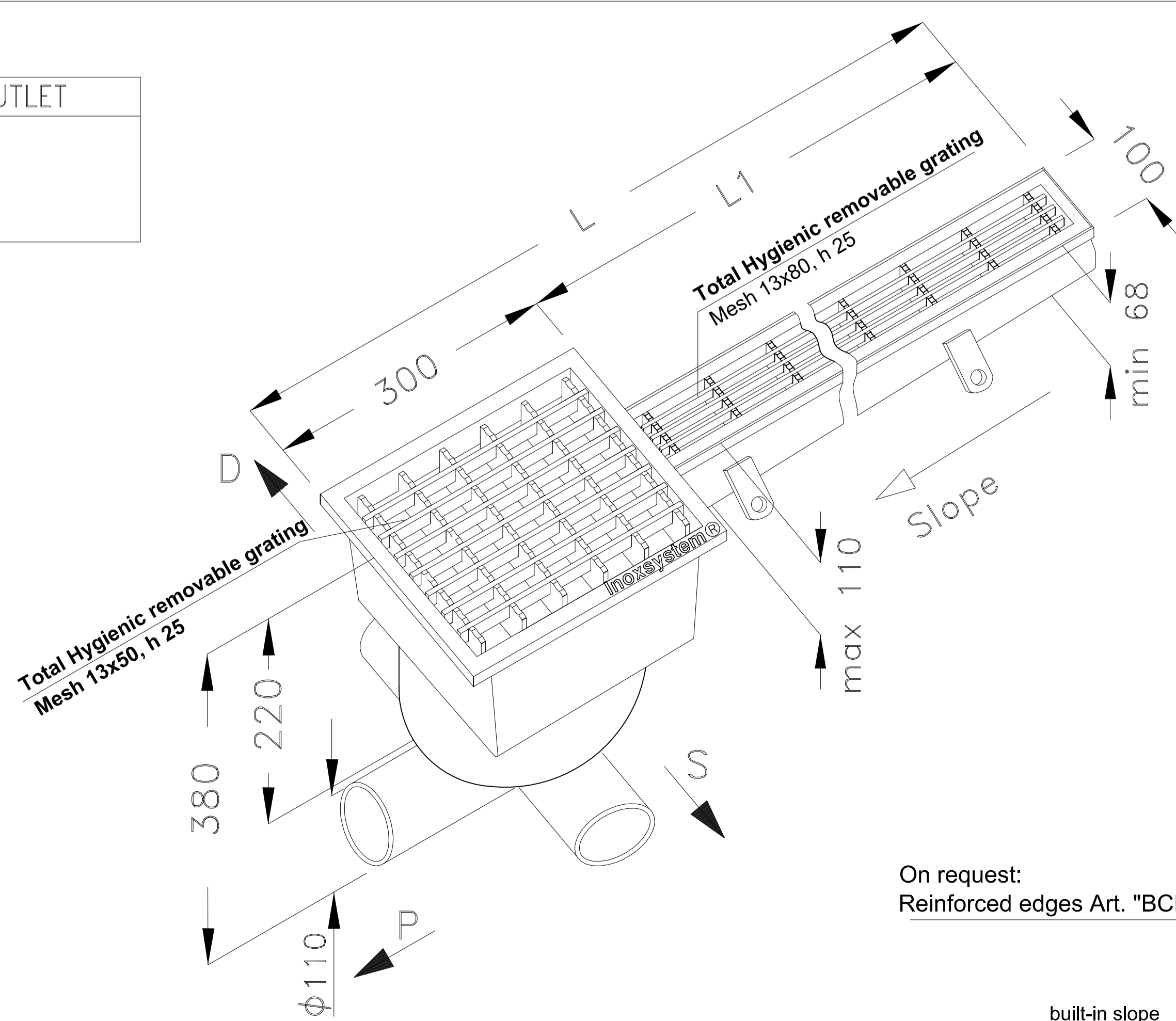


Inoxsystem® Dwg  
4071

Art. CGOCGE

N.B.: all dimensions are in mm

DIRECTION OF THE OUTLET	
S	- LEFT
D	- RIGHT
P	- STRAIGHT



Grade 304 stainless steel (grade 316 on request) - Sheet thk. 2 mm

**Inoxsystem®**

www.inoxsystem.it - info@inoxsystem.it  
Inoxsystem® TOTAL HYGIENIC CHANNEL  
GULLY WITH GRATING, EXT. DIM 300X300 mm, OUTLET Ø 110 mm  
WITH REMOVABLE ODOR TRAP PIPE & FILTER BASKET KIT  
End horizontal outlet with odor trap and filter basket

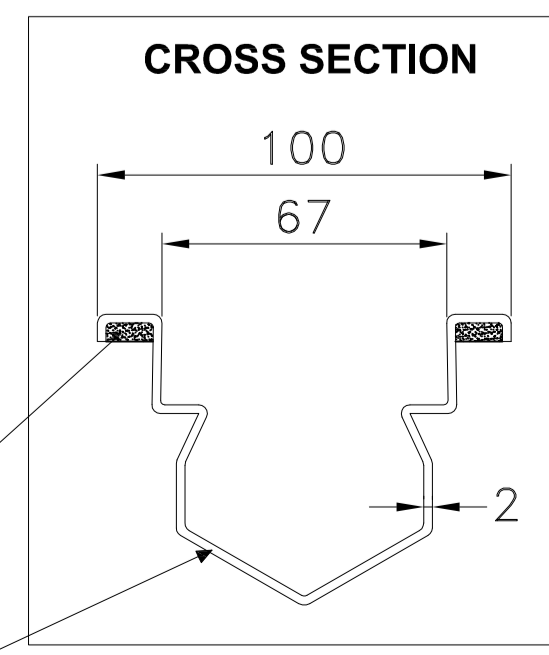
**Composed of Art.:**

- Channel with grating Art. "TH100"
- (See table at page 48 of the general catalogue - Section Total Hygienic)
- Gully with grating with removable odor trap and filter basket Art."CGL300110E"\*
- End cap Art. "TGTH"

**Upon request:**

- Epoxy filled edges Art. "BGR"
- Bolted flange connection Art. "FLG"

\* all dimensions can be modified upon request



Inoxsystem® Dwg  
4072

Art. CGOTCGE

N.B.: all dimensions are in mm